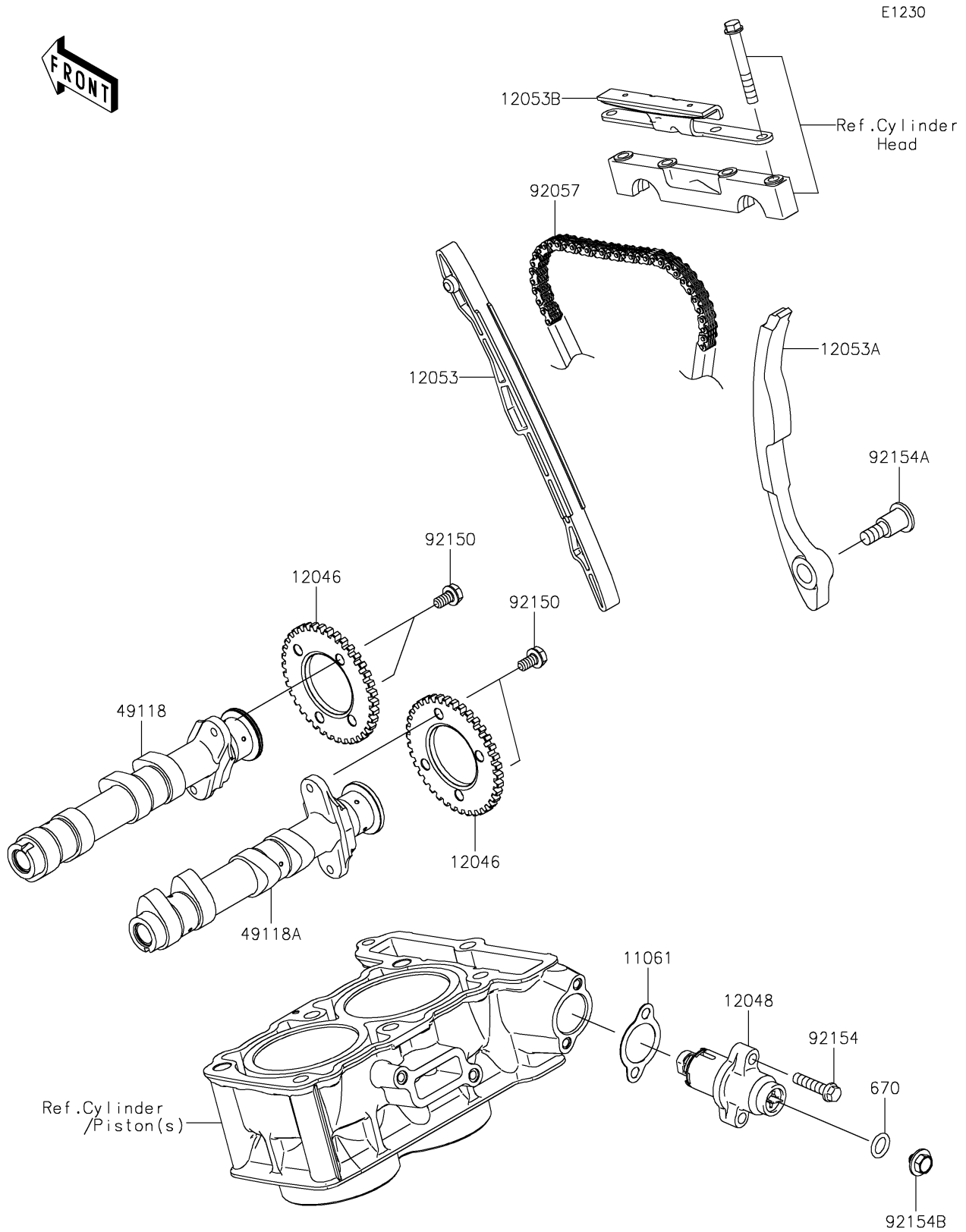


# 2020 VERSYS®-X 300 PARTS DIAGRAM

Camshaft(s)/Tensioner



## 2020 VERSYS®-X 300 PARTS LIST

### Camshaft(s)/Tensioner

| ITEM NAME                             | PART NUMBER | QUANTITY |
|---------------------------------------|-------------|----------|
| GASKET (Ref # 11061)                  | 11061-0792  | 1        |
| SPROCKET,38T (Ref # 12046)            | 12046-0072  | 2        |
| TENSIONER-ASSY (Ref # 12048)          | 12048-0084  | 1        |
| GUIDE-CHAIN,FR (Ref # 12053)          | 12053-0102  | 1        |
| GUIDE-CHAIN,RR (Ref # 12053A)         | 12053-0191  | 1        |
| GUIDE-CHAIN,UPP (Ref # 12053B)        | 12053-0235  | 1        |
| CAMSHAFT-COMP,EXHAUST (Ref # 49118)   | 49118-0743  | 1        |
| CAMSHAFT-COMP,INTAKE (Ref # 49118A)   | 49118-0921  | 1        |
| O RING,10MM (Ref # 670)               | 670D2010    | 1        |
| CHAIN,CAM,92RH2010-124M (Ref # 92057) | 92057-0595  | 1        |
| BOLT,FLANGED,6X11 (Ref # 92150)       | 92150-1725  | 4        |
| BOLT,FLANGED,6X25 (Ref # 92154)       | 92154-0819  | 2        |
| BOLT,SOCKET,8X29.2 (Ref # 92154A)     | 92154-0953  | 1        |
| BOLT,FLANGED,6X6 (Ref # 92154B)       | 92154-2352  | 1        |