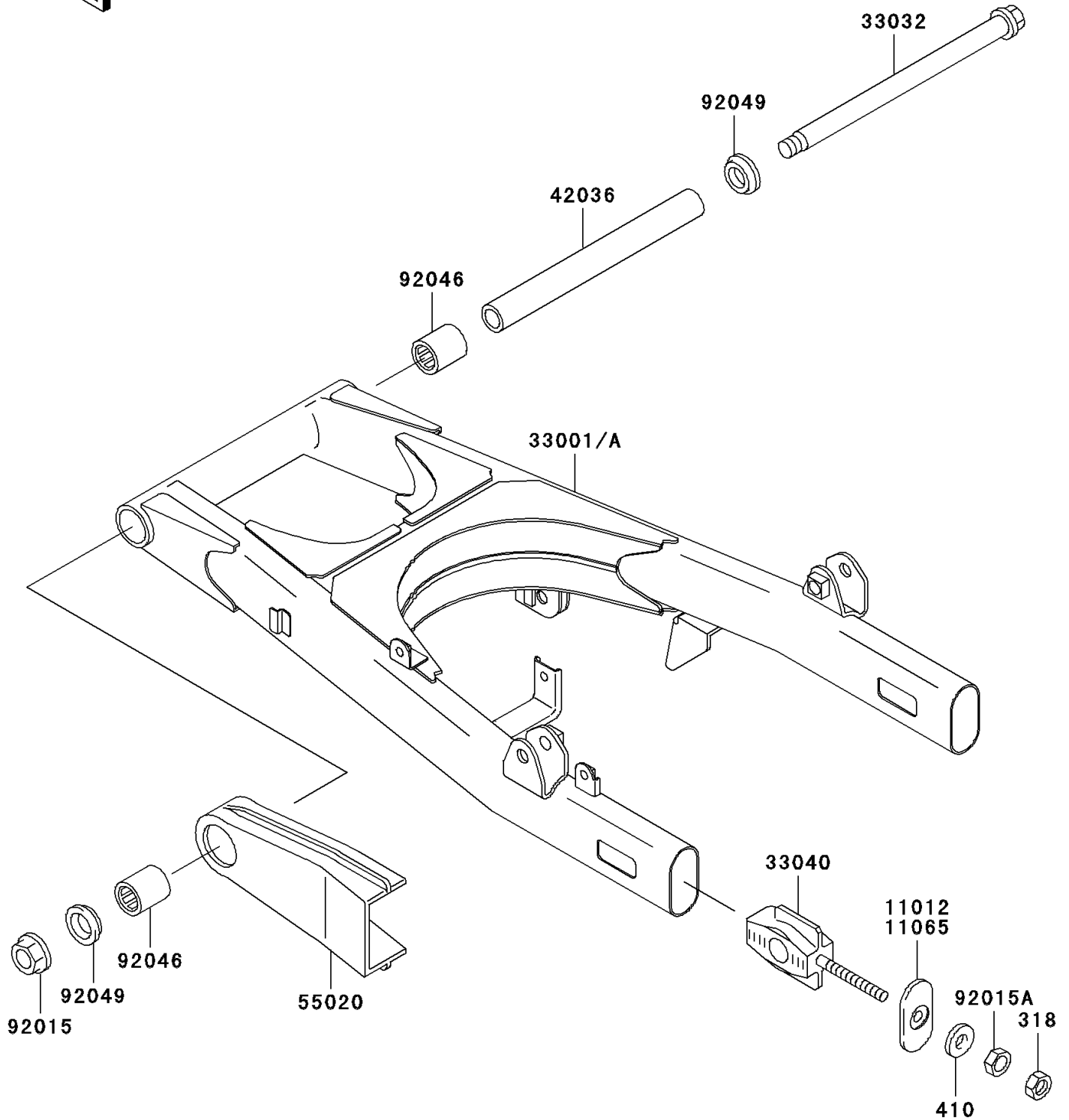


2009 Vulcan® 500 LTD PARTS DIAGRAM

Swingarm

F2141



2009 Vulcan® 500 LTD PARTS LIST

Swingarm

| ITEM NAME | PART NUMBER | QUANTITY |
|--|-------------|----------|
| NUT-HEX-SMALL (Ref # 318) | 318AB0800 | 1 |
| WASHER-PLAIN-SMALL,8MM,BLACK (Ref # 410) | 410AB0800 | 1 |
| CAP,CHAIN ADJUSTER (Ref # 11065) | 11065-0233 | 1 |
| ARM-COMP-SWING (Ref # 33001) | 33001-0138 | 1 |
| SHAFT-SWING ARM (Ref # 33032) | 33032-1180 | 1 |
| ADJUSTER-CHAIN,INNER (Ref # 33040) | 33040-1140 | 1 |
| SLEEVE,SWING ARM,L=228.5 (Ref # 42036) | 42036-1329 | 1 |
| GUARD,CHAIN (Ref # 55020) | 55020-1559 | 1 |
| NUT,14MM (Ref # 92015) | 92015-1407 | 1 |
| NUT,8MM (Ref # 92015A) | 92015-1959 | 1 |
| BEARING-NEEDLE,TA2230Z (Ref # 92046) | 92046-1174 | 1 |
| SEAL-OIL,MHA22X29X5.7F (Ref # 92049) | 92049-1289 | 1 |