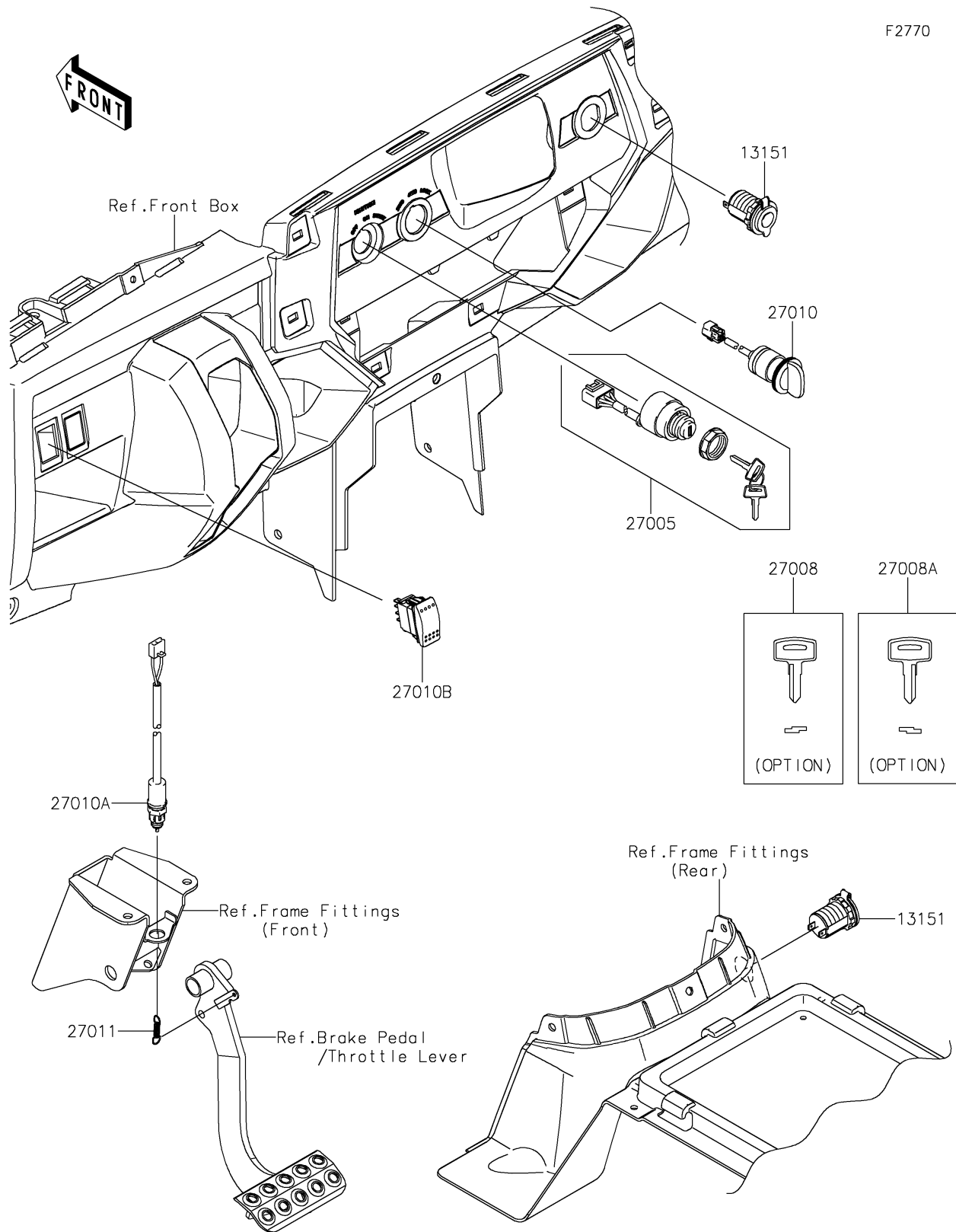


2019 TERYX® PARTS DIAGRAM

Ignition Switch

F2770



2019 TERYX® PARTS LIST

Ignition Switch

| ITEM NAME | PART NUMBER | QUANTITY |
|--|-------------|----------|
| SWITCH-COMP,OUTLET,12V (Ref # 13151) | 13151-0556 | 1 |
| SWITCH-ASSY-IGNITION (Ref # 27005) | 27005-0036 | 1 |
| KEY-LOCK,BLANK (Ref # 27008) | 27008-1153 | 1 |
| KEY-LOCK,BLANK (Ref # 27008A) | 27008-1157 | 1 |
| SWITCH,HEAD LAMP (Ref # 27010) | 27010-0706 | 1 |
| SWITCH,BRAKE (Ref # 27010A) | 27010-0724 | 1 |
| SWITCH,OUTER (Ref # 27010B) | 27010-0806 | 1 |
| SPRING,BRAKE LAMP SWITCH (Ref # 27011) | 27011-006 | 1 |