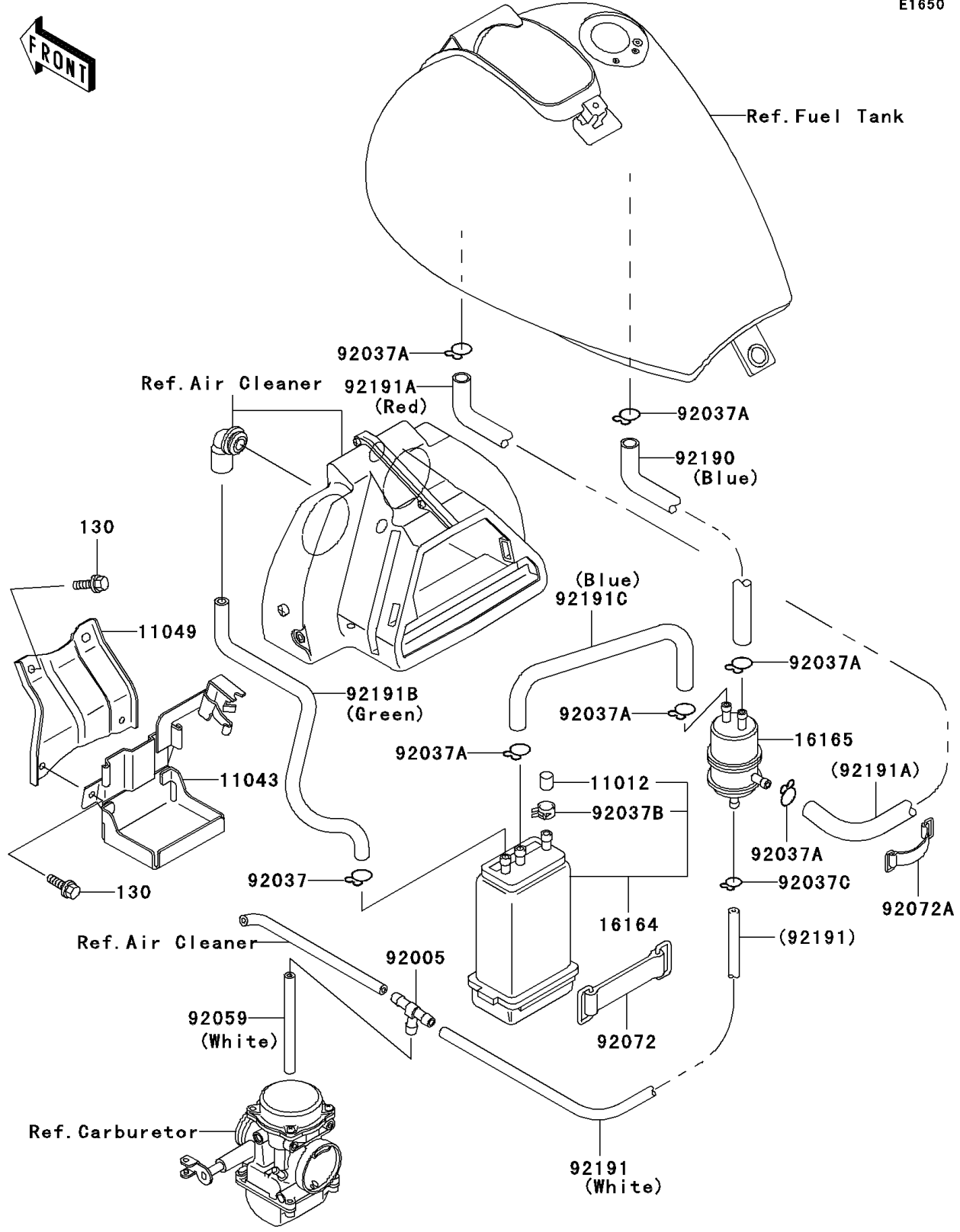


2007 Vulcan 500 LTD PARTS DIAGRAM

Fuel Evaporative System(C6F/C7F)(CA)

E1650



2007 Vulcan 500 LTD PARTS LIST

Fuel Evaporative System(C6F/C7F)(CA)

ITEM NAME	PART NUMBER	QUANTITY
BOLT-FLANGED,6X10 (Ref # 130)	130BB0610	4
CAP,CANISTER (Ref # 11012)	11012-1388	1
BRACKET,CANISTER (Ref # 11043)	11043-1184	1
BRACKET (Ref # 11049)	11049-1663	1
CANISTER (Ref # 16164)	16164-1054	1
SEPARATOR (Ref # 16165)	16165-1001	1
FITTING,TUBE,T-TYPE (Ref # 92005)	92005-1017	1
CLAMP,HOSE (Ref # 92037)	92037-1104	1
CLAMP,TUBE (Ref # 92037A)	92037-147	6
CLAMP,CANISTER (Ref # 92037B)	92037-1512	1
CLAMP (Ref # 92037C)	92037-1712	1
TUBE,4X9X100,WHITE (Ref # 92059)	92059-1591	1
BAND,L=142.1 (Ref # 92072)	92072-006	1
BAND,L=50 (Ref # 92072A)	92072-1419	1
TUBE,SEPA-TANK (Ref # 92190)	92190-1620	1
TUBE,WHITE (Ref # 92191)	92191-1062	1
TUBE,RED (Ref # 92191A)	92191-1063	1
TUBE,GREEN (Ref # 92191B)	92191-1065	1
TUBE,BLUE (Ref # 92191C)	92191-1076	1