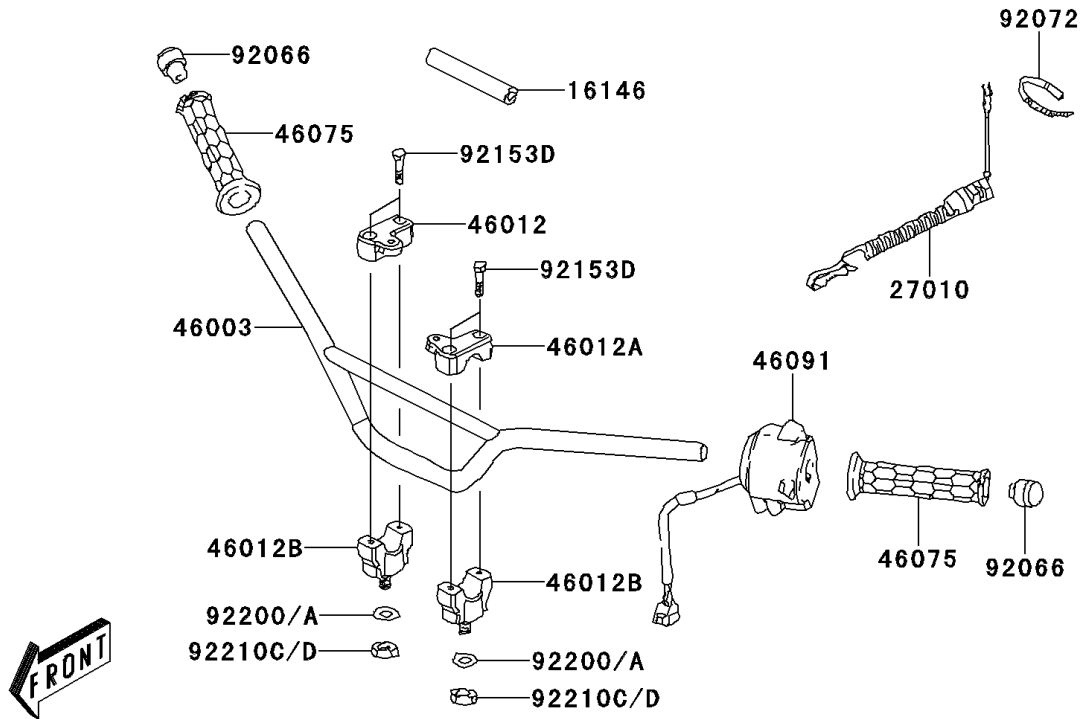
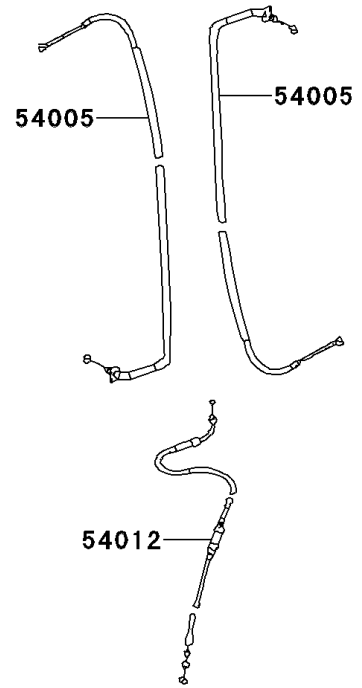
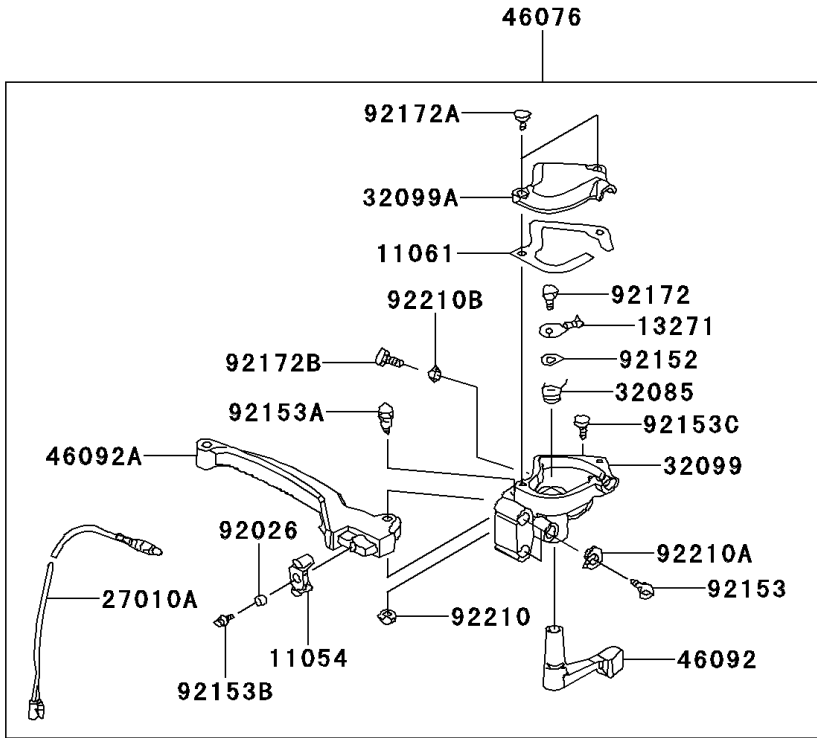


2007 KFX50 PARTS DIAGRAM

Handlebar

F2310



2007 KFX50 PARTS LIST

Handlebar

| ITEM NAME | PART NUMBER | QUANTITY |
|---------------------------------------|-------------|----------|
| BRACKET (Ref # 11054) | 11054-Y001 | 1 |
| GASKET (Ref # 11061) | 11061-Y017 | 1 |
| PLATE (Ref # 13271) | 13271-Y008 | 1 |
| COVER-ASSY,HANDLE (Ref # 16146) | 16146-Y001 | 1 |
| SWITCH,SAFETY (Ref # 27010) | 27010-Y002 | 1 |
| SWITCH,STOP (Ref # 27010A) | 27010-Y003 | 1 |
| STOPPER (Ref # 32085) | 32085-Y001 | 1 |
| CASE,LWR (Ref # 32099) | 32099-Y002 | 1 |
| CASE,UPP (Ref # 32099A) | 32099-Y003 | 1 |
| HANDLE (Ref # 46003) | 46003-Y001 | 1 |
| HOLDER-HANDLE,UPP,RH (Ref # 46012) | 46012-Y001 | 1 |
| HOLDER-HANDLE,UPP,LH (Ref # 46012A) | 46012-Y002 | 1 |
| HOLDER-HANDLE,LWR (Ref # 46012B) | 46012-Y003 | 2 |
| GRIP,HANDLE (Ref # 46075) | 46075-Y001 | 2 |
| LEVER-ASSY-GRIP,RH (Ref # 46076) | 46076-Y001 | 1 |
| HOUSING-ASSY-CONTROL,LH (Ref # 46091) | 46091-Y001 | 1 |
| LEVER-GRIP,CHOKE (Ref # 46092) | 46092-Y001 | 1 |
| LEVER-GRIP,RH (Ref # 46092A) | 46092-Y002 | 1 |
| CABLE-BRAKE,FR (Ref # 54005) | 54005-Y001 | 2 |
| CABLE-THROTTLE (Ref # 54012) | 54012-Y002 | 1 |
| SPACER (Ref # 92026) | 92026-Y007 | 1 |
| PLUG (Ref # 92066) | 92066-Y002 | 2 |
| BAND (Ref # 92072) | 92072-Y001 | 1 |
| COLLAR (Ref # 92152) | 92152-Y012 | 1 |
| BOLT (Ref # 92153) | 92153-Y002 | 2 |
| BOLT,6X22 (Ref # 92153A) | 92153-Y009 | 1 |
| BOLT,FLANGE,6X16 (Ref # 92153B) | 92153-Y025 | 1 |
| BOLT,SOCKET,6X20 (Ref # 92153C) | 92153-Y060 | 1 |
| BOLT,SOCKET,6X25 (Ref # 92153D) | 92153-Y061 | 4 |

2007 KFX50 PARTS LIST

Handlebar

| ITEM NAME | PART NUMBER | QUANTITY |
|-------------------------------|-------------|----------|
| SCREW,PAN,3X8 (Ref # 92172) | 92172-Y005 | 1 |
| SCREW,PAN,4X16 (Ref # 92172A) | 92172-Y008 | 2 |
| SCREW,PAN,5X14 (Ref # 92172B) | 92172-Y009 | 1 |
| WASHER,10MM (Ref # 92200) | 92200-Y018 | 2 |
| NUT,6MM (Ref # 92210) | 92210-Y008 | 1 |
| NUT (Ref # 92210A) | 92210-Y015 | 2 |
| NUT,5MM (Ref # 92210B) | 92210-Y017 | 1 |
| NUT,10MM (Ref # 92210C) | 92210-Y019 | 2 |