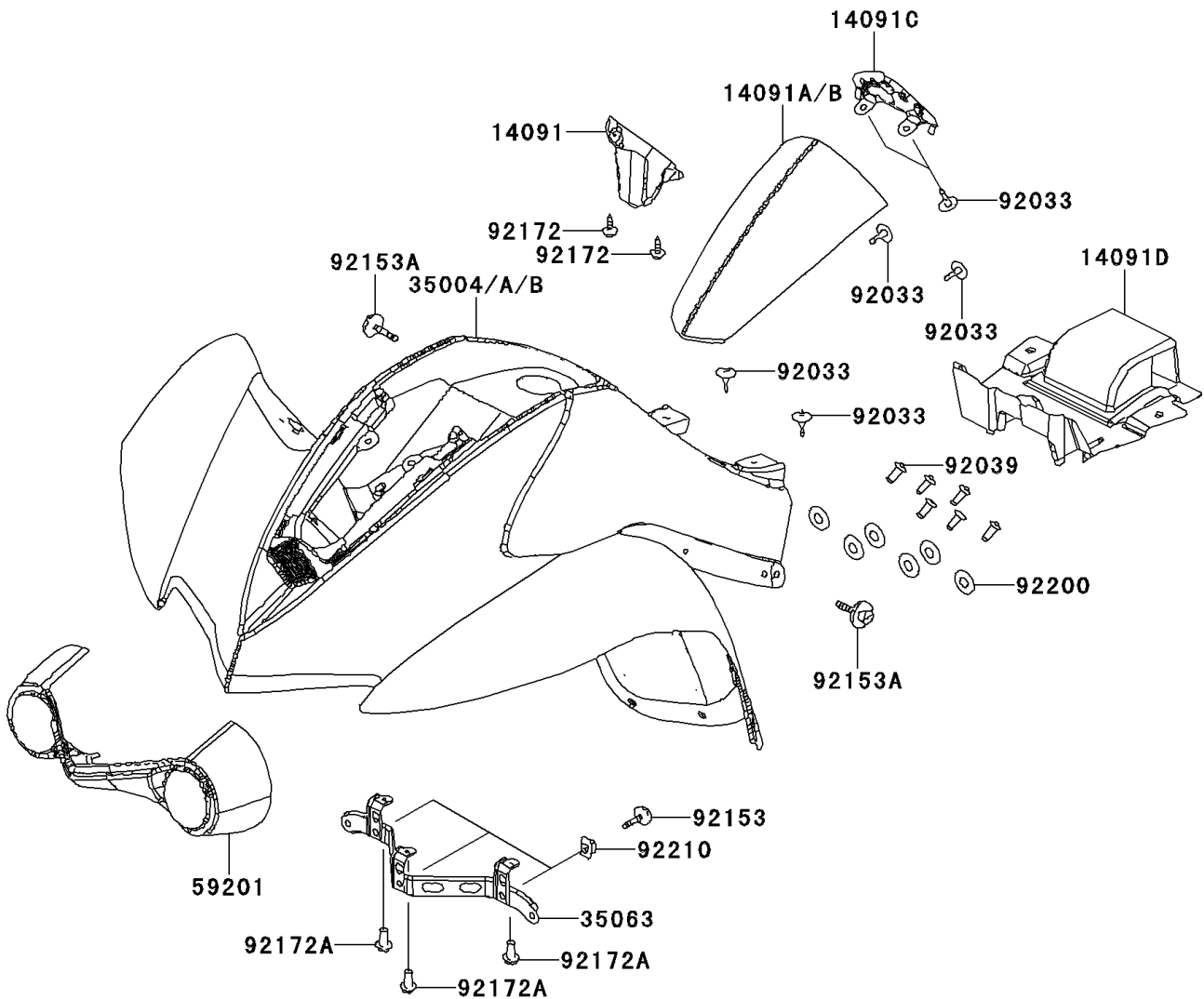


2009 KFX®50 PARTS DIAGRAM

Front Fender(s)

F2171



2009 KFX®50 PARTS LIST

Front Fender(s)

ITEM NAME	PART NUMBER	QUANTITY
COVER,MAIN SWITCH,BLACK (Ref # 14091)	14091-Y006-933	1
COVER,FRONT,WHITE (Ref # 14091A)	14091-Y007-932	1
COVER,CENTER,BLACK (Ref # 14091C)	14091-Y008-933	1
COVER,INNER,BLACK (Ref # 14091D)	14091-Y013-933	1
FENDER-FRONT,GREEN (Ref # 35004)	35004-Y001-930	1
FENDER-FRONT,S.RED (Ref # 35004B)	35004-Y001-939	1
STAY,FRONT FENDER (Ref # 35063)	35063-Y003	1
BUMPER,FRONT,BLACK (Ref # 59201)	59201-Y001-933	1
RIVET (Ref # 92033)	92033-Y010	6
RIVET,3.2X9.8 (Ref # 92039)	92039-Y001	6
BOLT,5X16 (Ref # 92153)	92153-Y013	3
BOLT,6X16 (Ref # 92153A)	92153-Y018	4
SCREW,4X12 (Ref # 92172)	92172-Y019	2
SCREW,TAPPING,5X16 (Ref # 92172A)	92172-Y020	3
WASHER,3MM (Ref # 92200)	92200-Y017	6
NUT,5MM (Ref # 92210)	92210-Y016	3