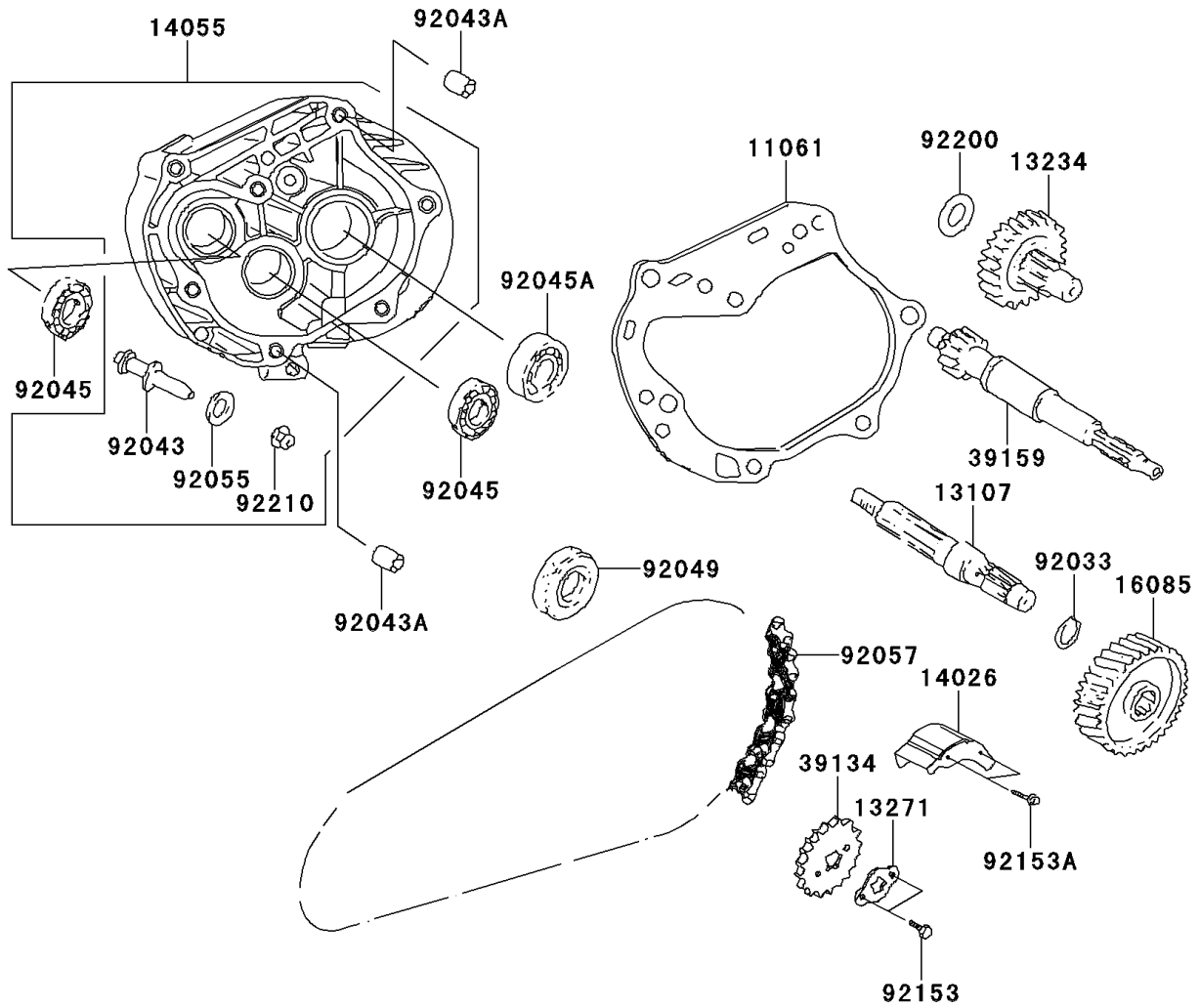


# 2009 KFX®50 PARTS DIAGRAM

Gear Change Drum/Shift Fork(s)

E1362



## 2009 KFX®50 PARTS LIST

### Gear Change Drum/Shift Fork(s)

ITEM NAME	PART NUMBER	QUANTITY
GASKET,GEAR CASE (Ref # 11061)	11061-Y016	1
SHAFT,FINAL (Ref # 13107)	13107-Y003	1
SHAFT-COMP (Ref # 13234)	13234-Y002	1
PLATE (Ref # 13271)	13271-Y007	1
COVER-CHAIN (Ref # 14026)	14026-Y001	1
CASE-GEAR (Ref # 14055)	14055-Y002	1
GEAR,FINAL (Ref # 16085)	16085-Y005	1
SPROCKET-DRIVE (Ref # 39134)	39134-Y001	1
SHAFT-DRIVE (Ref # 39159)	39159-Y002	1
RING-SNAP (Ref # 92033)	92033-Y011	1
PIN,BRAKE (Ref # 92043)	92043-Y001	1
PIN,DOWEL,10X20 (Ref # 92043A)	92043-Y014	2
BEARING-BALL,6201 (Ref # 92045)	92045-Y002	2
BEARING-BALL,6004 UU (Ref # 92045A)	92045-Y005	1
SEAL-OIL,27X42X7 (Ref # 92049)	92049-Y008	1
RING-O,7.5X1.5 (Ref # 92055)	92055-Y002	1
CHAIN,DRIVE (Ref # 92057)	92057-Y004	1
BOLT,6X10 (Ref # 92153)	92153-Y014	2
BOLT,FLANGE,6X10 (Ref # 92153A)	92153-Y045	2
WASHER,12MM (Ref # 92200)	92200-Y004	1
NUT,8MM (Ref # 92210)	92210-Y014	1