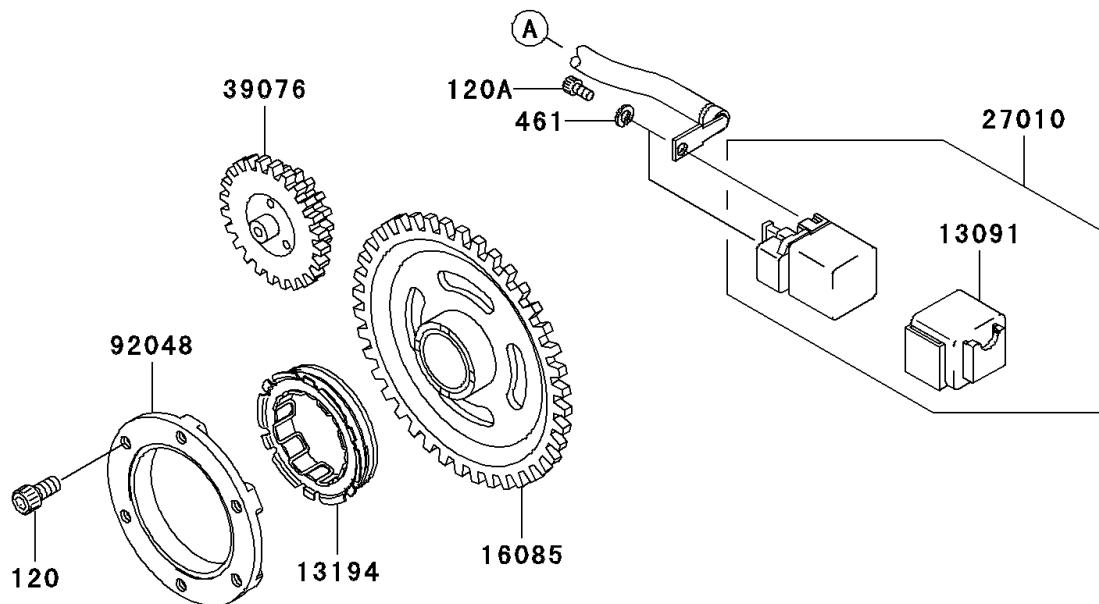
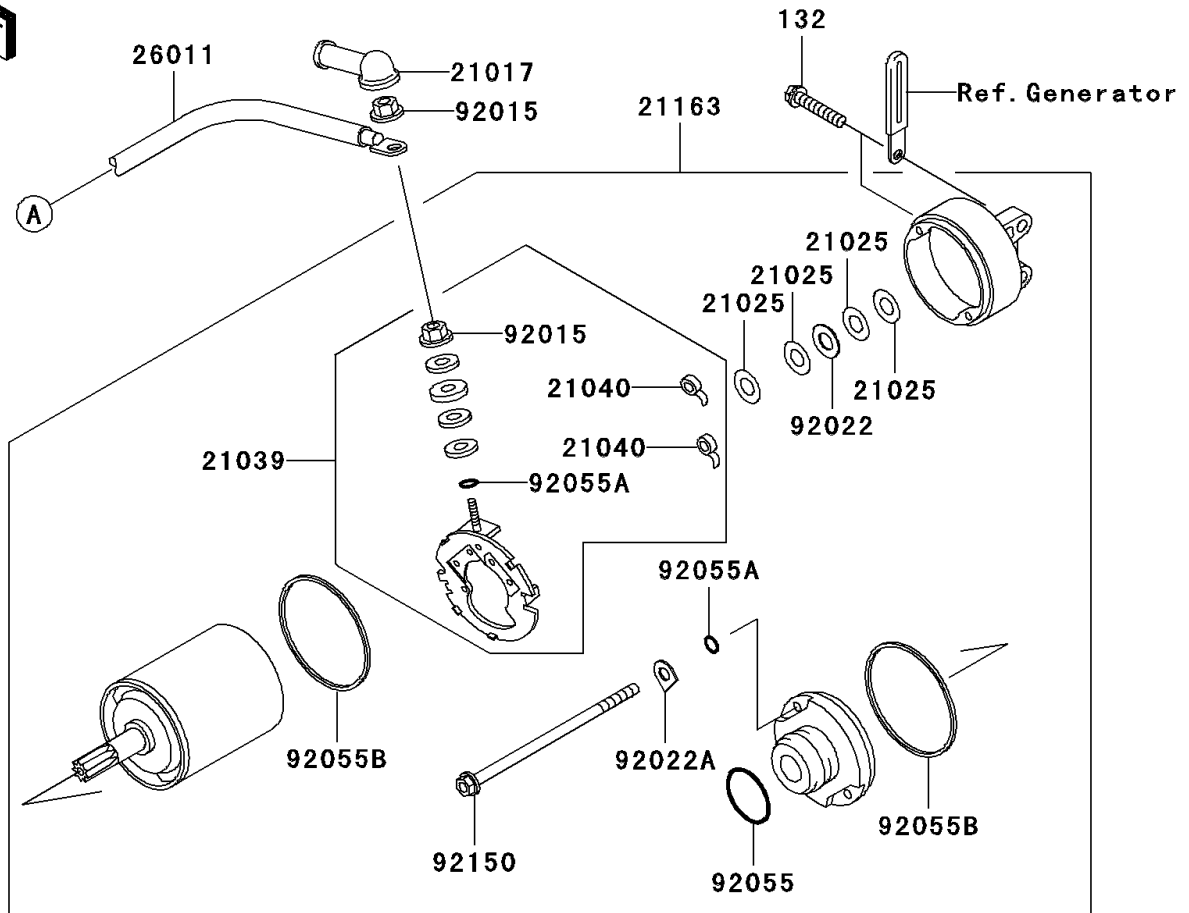


2006 Prairie 700 4x4 PARTS DIAGRAM

Starter Motor

E1840



2006 Prairie 700 4x4 PARTS LIST

Starter Motor

ITEM NAME	PART NUMBER	QUANTITY
BOLT-SOCKET,8X16 (Ref # 120)	120P0816	1
BOLT-SOCKET,5X10 (Ref # 120A)	120S0510	1
BOLT-FLANGED-SMALL,6X30 (Ref # 132)	132Y0630	1
WASHER-SPRING,5MM,BLACK (Ref # 461)	461K0500	1
HOLDER (Ref # 13091)	13091-1992	1
CLUTCH-ONEWAY (Ref # 13194)	13194-1094	1
GEAR,STARTER (Ref # 16085)	16085-1238	1
GROMMET,STARTER TERMINAL (Ref # 21017)	21017-017	1
WASHER,9.1X18X0.2 (Ref # 21025)	21025-011	1
BRUSH,CARBON (Ref # 21039)	21039-1063	1
SPRING-BRUSH (Ref # 21040)	21040-1057	1
STARTER-ELECTRIC (Ref # 21163)	21163-1320	1
WIRE-LEAD (Ref # 26011)	26011-1814	1
SWITCH,MAGNETIC (Ref # 27010)	27010-1376	1
LIMITER,STARTER (Ref # 39076)	39076-1076	1
NUT,STARTER MOTOR (Ref # 92015)	92015-1476	1
WASHER,9.1X18X0.8 (Ref # 92022)	92022-1132	1
WASHER,LOCK,T=2.0 (Ref # 92022A)	92022-1458	1
RACE,ONE WAY CLUTCH (Ref # 92048)	92048-0002	1
RING-O (Ref # 92055)	92055-1276	1
RING-O,4.5X2.0 (Ref # 92055A)	92055-1370	1
RING-O,STARTER MOTOR (Ref # 92055B)	92055-1381	1
BOLT (Ref # 92150)	92150-1243	1