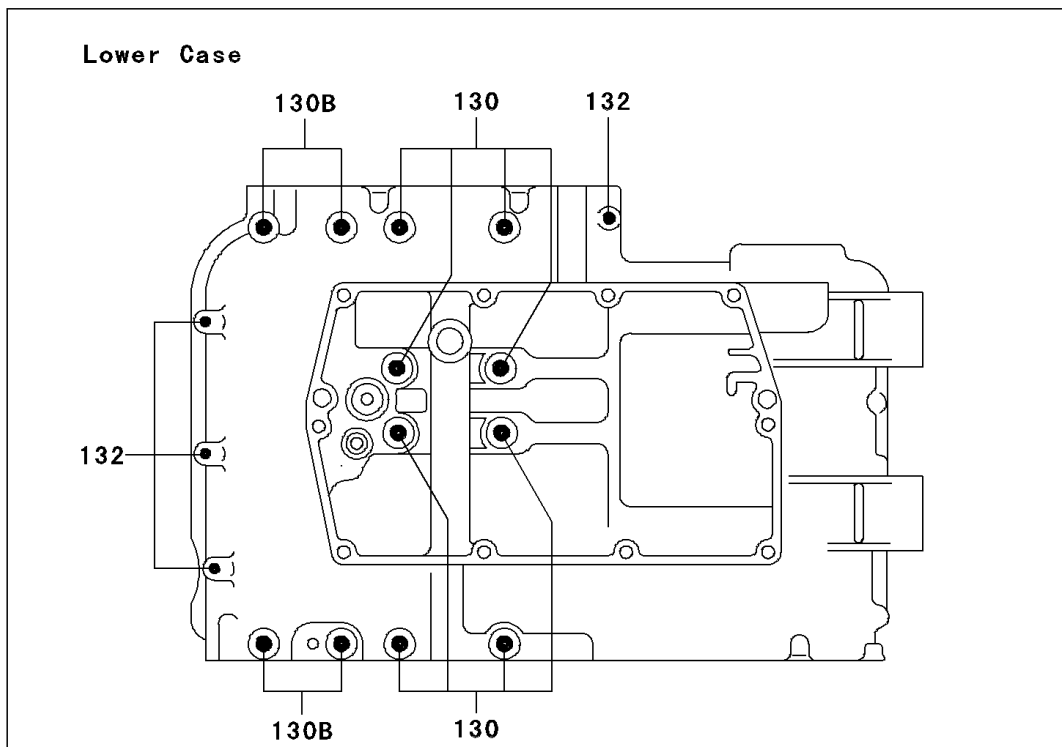
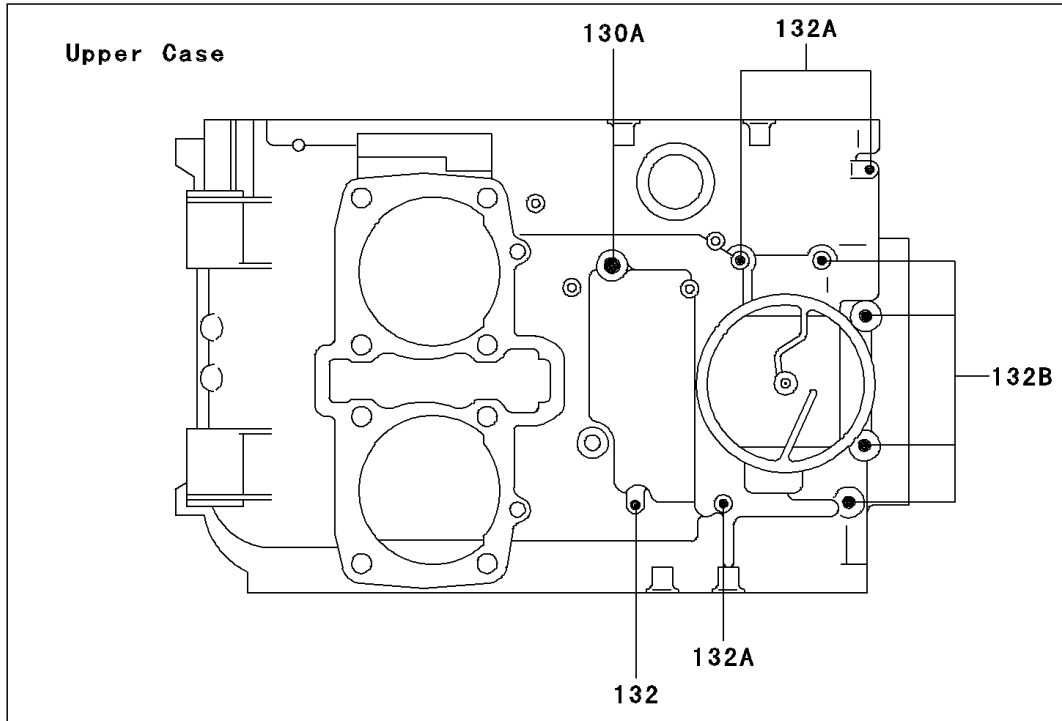


2009 Vulcan® 500 LTD PARTS DIAGRAM

Crankcase Bolt Pattern

E1412



2009 Vulcan® 500 LTD PARTS LIST

Crankcase Bolt Pattern

ITEM NAME	PART NUMBER	QUANTITY
BOLT-FLANGED,8X100 (Ref # 130)	130CD08100	8
BOLT-FLANGED,8X55 (Ref # 130A)	130CD0855	1
BOLT-FLANGED,8X75 (Ref # 130B)	130CD0875	4
BOLT-FLANGED-SMALL,6X40 (Ref # 132)	132BD0640	5
BOLT-FLANGED-SMALL,6X60 (Ref # 132A)	132BD0660	3
BOLT-FLANGED-SMALL,6X80 (Ref # 132B)	132BD0680	4