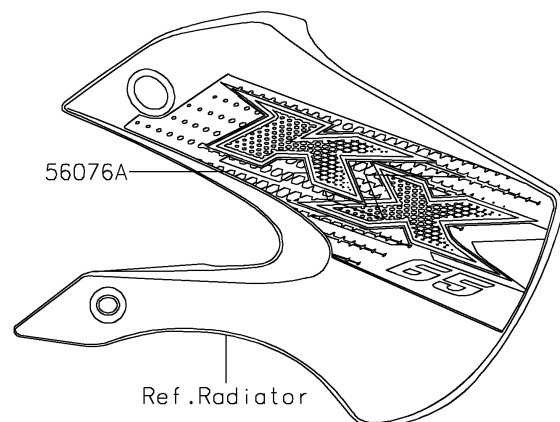
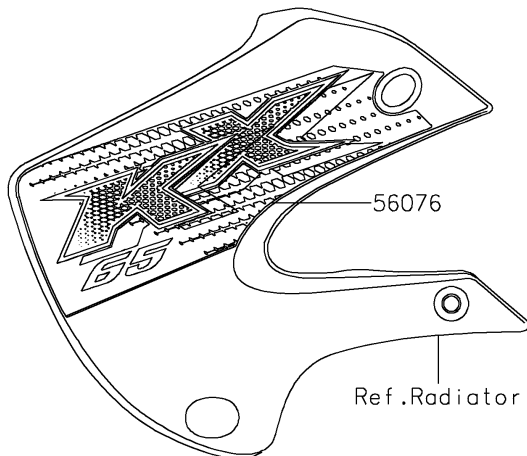
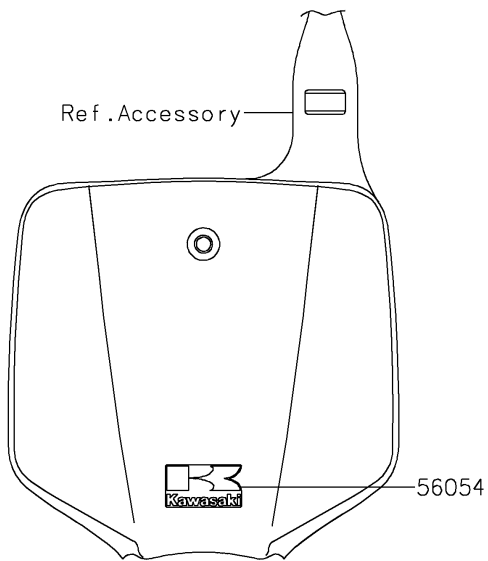
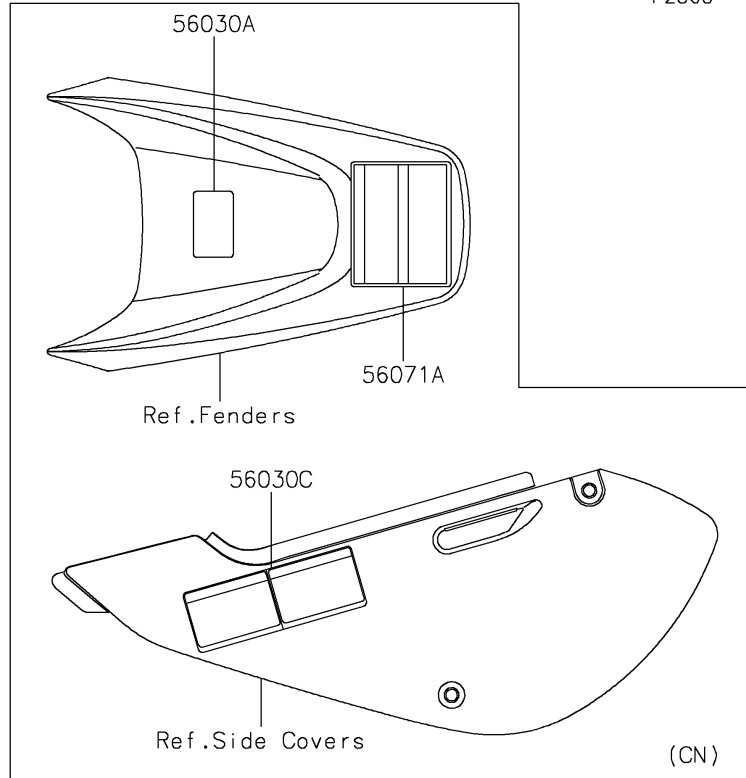
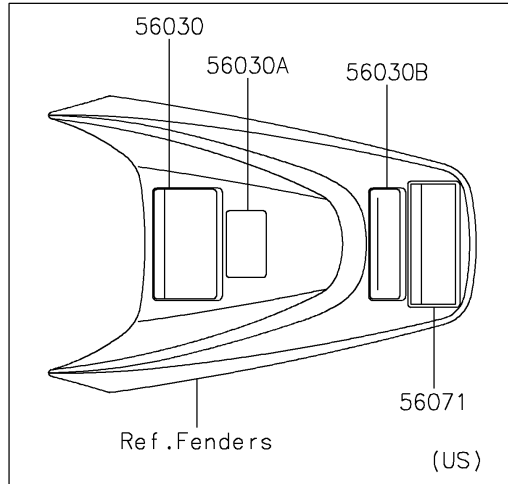


2020 KX™65 PARTS DIAGRAM

Labels

F2860



2020 KX™65 PARTS LIST

Labels

ITEM NAME	PART NUMBER	QUANTITY
LABEL,DISCLAIMER (Ref # 56030)	56030-0926	1
LABEL,32:1 (Ref # 56030A)	56030-1230	1
LABEL,NOISE EMISSION (Ref # 56030B)	56030-1231	1
LABEL,DISCLAIMER (Ref # 56030C)	56030-1233	1
MARK,NUMBER PLATE,K (Ref # 56054)	56054-2249	1
LABEL-WARNING,IMPORTANT NOTICE (Ref # 56071)	56071-0028	1
LABEL-WARNING,IMPORTANT NOTICE (Ref # 56071A)	56071-0029	1
PATTERN,SHROUD,LH (Ref # 56076)	56076-0187	1
PATTERN,SHROUD,RH (Ref # 56076A)	56076-0188	1