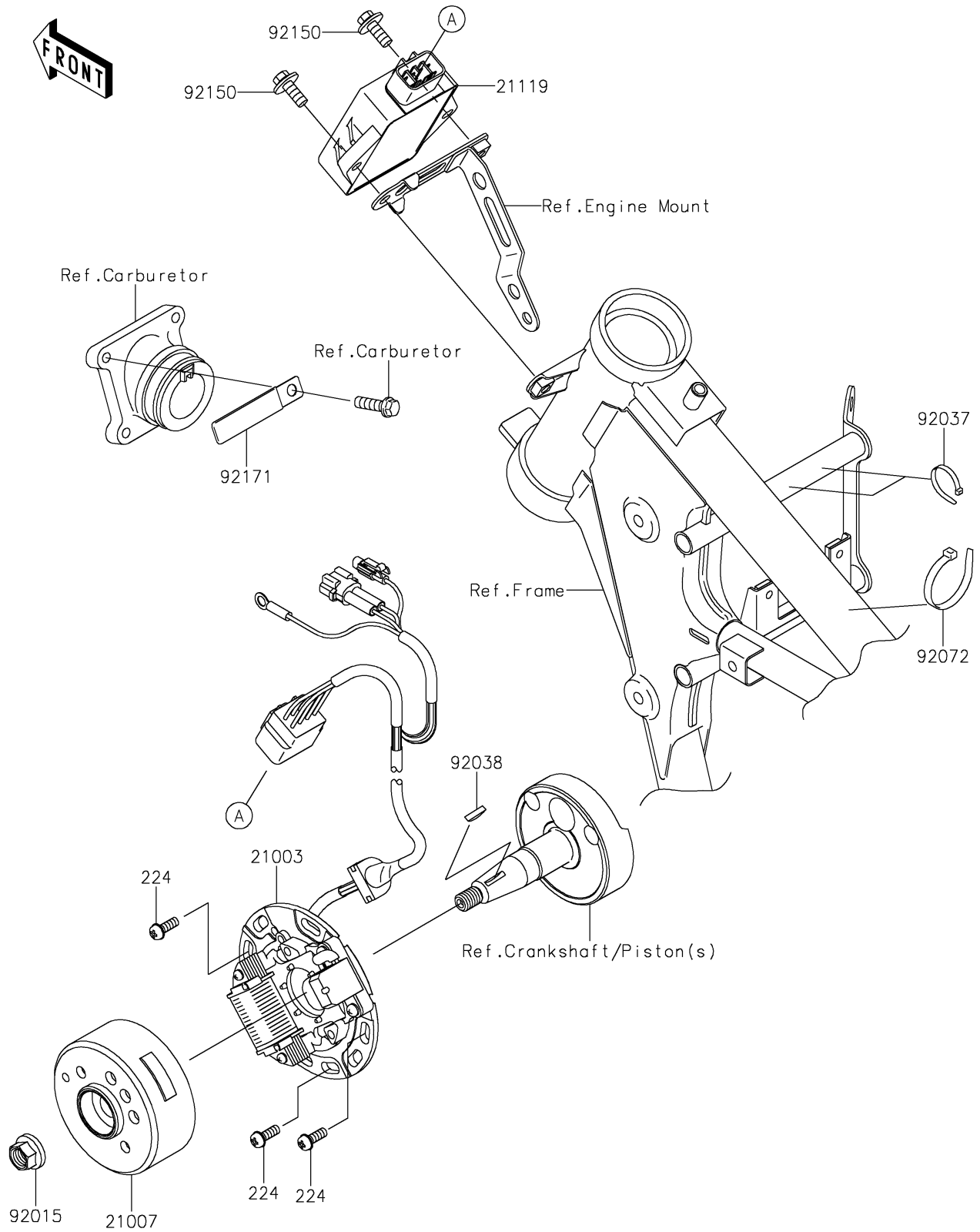


## 2020 KX™65 PARTS DIAGRAM

Generator

E1810



## 2020 KX™65 PARTS LIST

Generator

ITEM NAME	PART NUMBER	QUANTITY
STATOR (Ref # 21003)	21003-0031	1
ROTOR (Ref # 21007)	21007-0052	1
IGNITER (Ref # 21119)	21119-0047	1
SCREW-PAN-WP-CROS,6X14 (Ref # 224)	224AA0614	1
NUT,FLANGED,10MM (Ref # 92015)	92015-077	1
CLAMP (Ref # 92037)	92037-1173	1
KEY,WOODRUFF (Ref # 92038)	92038-001	1
BAND,L=140 (Ref # 92072)	92072-1293	1
BOLT,FLANGED,6X16 (Ref # 92150)	92150-1506	1
CLAMP,L=60 (Ref # 92171)	92171-0652	1