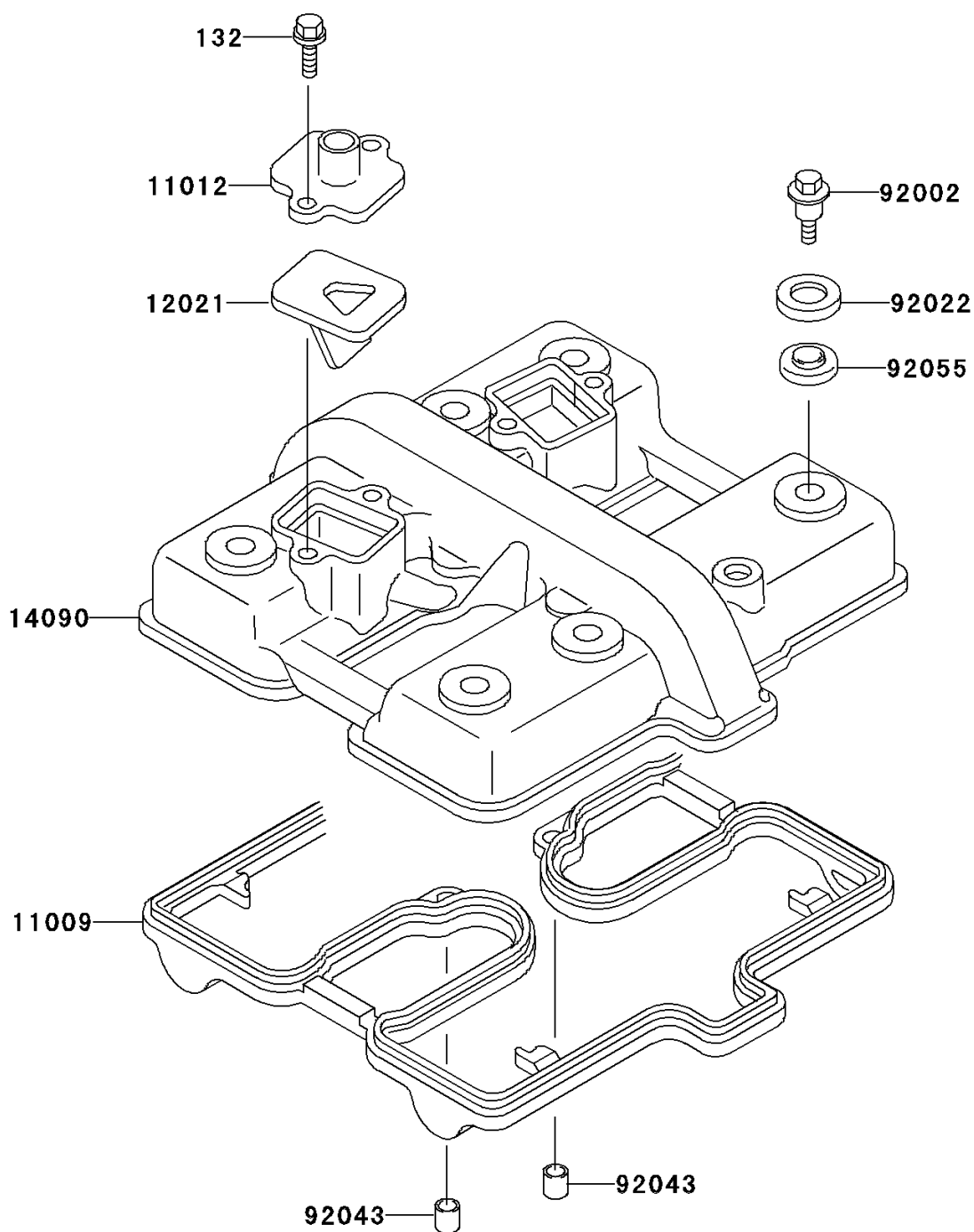


2009 Vulcan® 500 LTD PARTS DIAGRAM

Cylinder Head Cover

E1112



2009 Vulcan® 500 LTD PARTS LIST

Cylinder Head Cover

ITEM NAME	PART NUMBER	QUANTITY
BOLT-FLANGED-SMALL,6X16 (Ref # 132)	132BD0616	1
GASKET,CYLINDER HEAD COVER (Ref # 11009)	11009-1483	1
CAP,REED VALVE (Ref # 11012)	11012-1949	1
VALVE-ASSY-REED (Ref # 12021)	12021-1026	1
COVER,HEAD (Ref # 14090)	14090-1660	1
BOLT,FLANGED,6X14X13.5 (Ref # 92002)	92002-1595	1
WASHER,HEAD COVER BOLT (Ref # 92022)	92022-1637	1
PIN,DOWEL,8X10 (Ref # 92043)	92043-1302	1
RING-O,HEAD COVER BOLT (Ref # 92055)	92055-1225	1