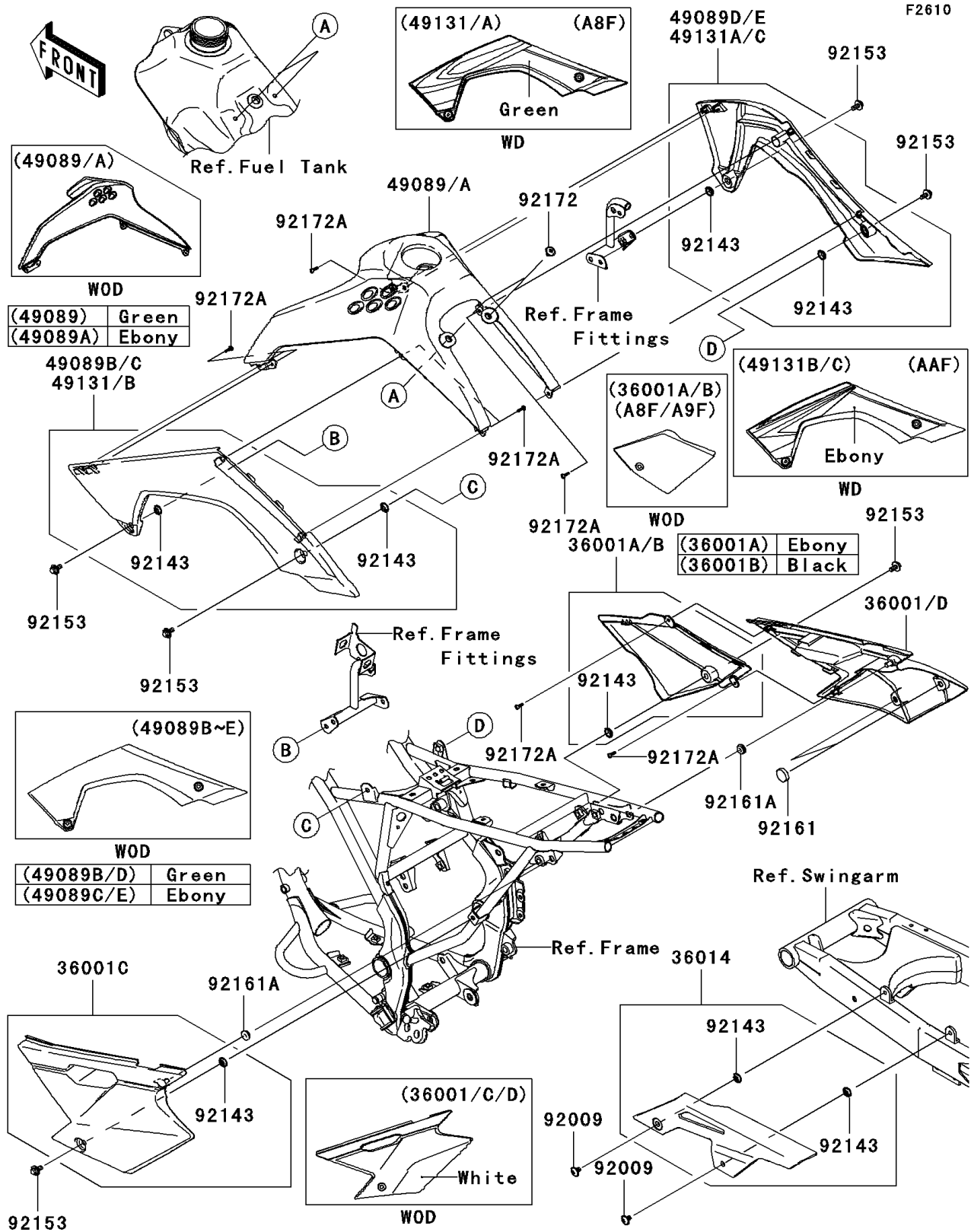


# 2009 KLX®140 PARTS DIAGRAM

## Side Covers/Chain Cover



## 2009 KLX®140 PARTS LIST

### Side Covers/Chain Cover

| ITEM NAME                               | PART NUMBER    | QUANTITY |
|---|----------------|----------|
| COVER-SIDE,FR,RH,EBONY (Ref # 36001A)   | 36001-0125-6C  | 1        |
| COVER-SIDE,RR,LH,B.WHITE (Ref # 36001C) | 36001-0154-266 | 1        |
| COVER-SIDE,RR,RH,B.WHITE (Ref # 36001D) | 36001-0156-266 | 1        |
| CASE-CHAIN (Ref # 36014)                | 36014-0044     | 1        |
| SHROUD-ENGINE,UPP,EBONY (Ref # 49089A)  | 49089-0052-6C  | 1        |
| SHROUD-ENGINE,LH,EBONY (Ref # 49089C)   | 49089-0053-6C  | 1        |
| SHROUD-ENGINE,RH,EBONY (Ref # 49089E)   | 49089-0054-6C  | 1        |
| SCREW,6X10 (Ref # 92009)                | 92009-1729     | 2        |
| COLLAR (Ref # 92143)                    | 92143-1196     | 8        |
| BOLT,FLANGED,6X14 (Ref # 92153)         | 92153-0936     | 6        |
| DAMPER (Ref # 92161)                    | 92161-0336     | 2        |
| DAMPER (Ref # 92161A)                   | 92161-0631     | 2        |
| SCREW,6X10 (Ref # 92172)                | 92172-0098     | 2        |
| SCREW,TAPPING,4X12 (Ref # 92172A)       | 92172-0233     | 10       |