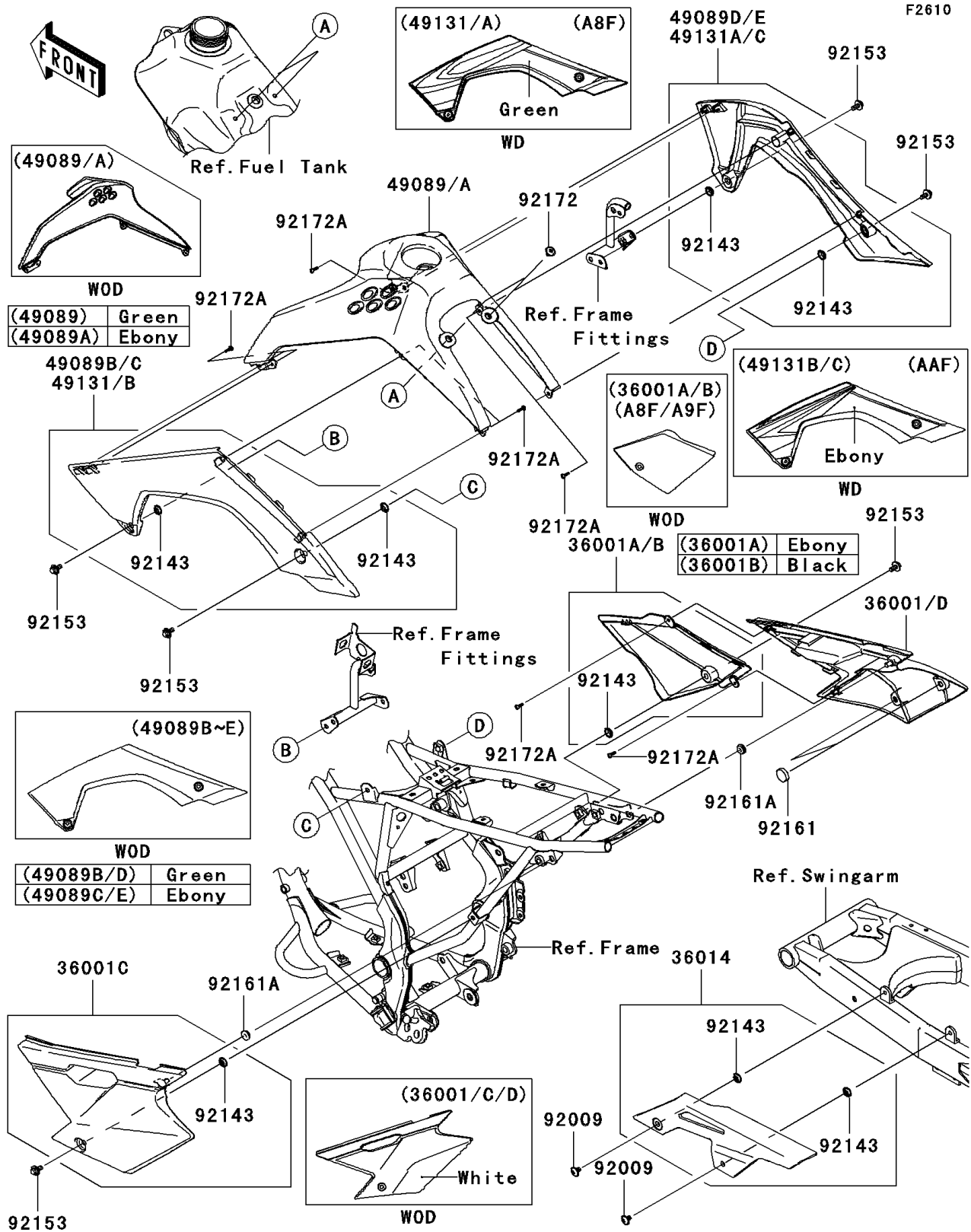


# 2008 KLX®140 PARTS DIAGRAM

## Side Covers/Chain Cover



## 2008 KLX®140 PARTS LIST

### Side Covers/Chain Cover

ITEM NAME	PART NUMBER	QUANTITY
COVER-SIDE,RR,RH,B.WHITE (Ref # 36001)	36001-0124-266	1
COVER-SIDE,FR,RH,F.BLACK (Ref # 36001B)	36001-0125-6Z	1
COVER-SIDE,RR,LH,B.WHITE (Ref # 36001C)	36001-0154-266	1
CASE-CHAIN (Ref # 36014)	36014-0044	1
SHROUD-ENGINE,UPP,L.GREEN (Ref # 49089)	49089-0052-290	1
SHROUD-ENGINE,LH,L.GREEN (Ref # 49131)	49131-5128-290	1
SHROUD-ENGINE,RH,L.GREEN (Ref # 49131A)	49131-5129-290	1
SCREW,6X10 (Ref # 92009)	92009-1729	2
COLLAR (Ref # 92143)	92143-1196	8
BOLT,FLANGED,6X14 (Ref # 92153)	92153-0936	6
DAMPER (Ref # 92161)	92161-0336	2
DAMPER (Ref # 92161A)	92161-0631	2
SCREW,6X10 (Ref # 92172)	92172-0098	2
SCREW,TAPPING,4X12 (Ref # 92172A)	92172-0233	10