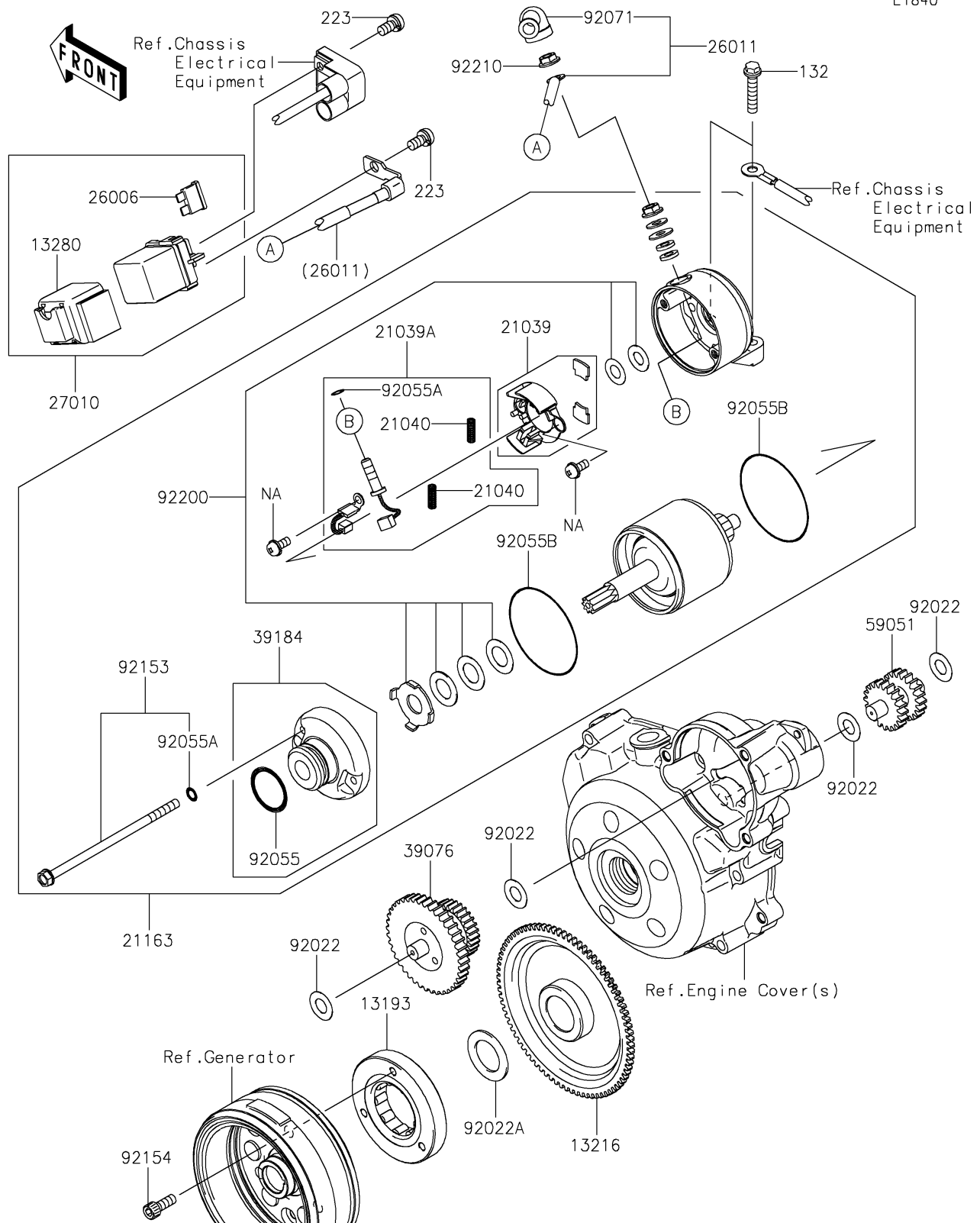


## 2019 KLX® 140G PARTS DIAGRAM

Starter Motor

E1840



## 2019 KLX® 140G PARTS LIST

Starter Motor

| ITEM NAME                               | PART NUMBER | QUANTITY |
|---|-------------|----------|
| CLUTCH-ASSY-ONEWAY (Ref # 13193)        | 13193-0005  | 1        |
| BOLT-FLANGED-SMALL,6X30 (Ref # 132)     | 132BD0630   | 1        |
| GEAR-COMP,FREE WHEEL (Ref # 13216)      | 13216-0040  | 1        |
| HOLDER (Ref # 13280)                    | 13280-0818  | 1        |
| BRUSH (Ref # 21039)                     | 21039-0007  | 1        |
| BRUSH (Ref # 21039A)                    | 21039-0008  | 1        |
| SPRING-BRUSH (Ref # 21040)              | 21040-0004  | 1        |
| STARTER-ELECTRIC (Ref # 21163)          | 21163-0762  | 1        |
| SCREW-PAN-WS-CROS,5X10 (Ref # 223)      | 223AA0510   | 1        |
| FUSE,BLADE,10A,RED (Ref # 26006)        | 26006-1007  | 1        |
| WIRE-LEAD,STARTER (Ref # 26011)         | 26011-0782  | 1        |
| SWITCH,MAGNETIC (Ref # 27010)           | 27010-0798  | 1        |
| LIMITER,STARTER IDLE GEAR (Ref # 39076) | 39076-0020  | 1        |
| BRACKET-ASSY (Ref # 39184)              | 39184-0015  | 1        |
| GEAR-SPUR,IDLE (Ref # 59051)            | 59051-0785  | 1        |
| WASHER,10.2X20X0.5 (Ref # 92022)        | 92022-1649  | 1        |
| WASHER,22.3X35X1.6 (Ref # 92022A)       | 92022-212   | 1        |
| RING-O (Ref # 92055)                    | 92055-1276  | 1        |
| RING-O,4.5X2.0 (Ref # 92055A)           | 92055-1370  | 1        |
| RING-O (Ref # 92055B)                   | 92055-1550  | 1        |
| GROMMET (Ref # 92071)                   | 92071-0705  | 1        |
| BOLT (Ref # 92153)                      | 92153-1914  | 1        |
| BOLT,SOCKET,6X16 (Ref # 92154)          | 92154-0235  | 1        |
| WASHER,SET (Ref # 92200)                | 92200-0407  | 1        |
| NUT,FLANGED,6MM (Ref # 92210)           | 92210-1514  | 1        |