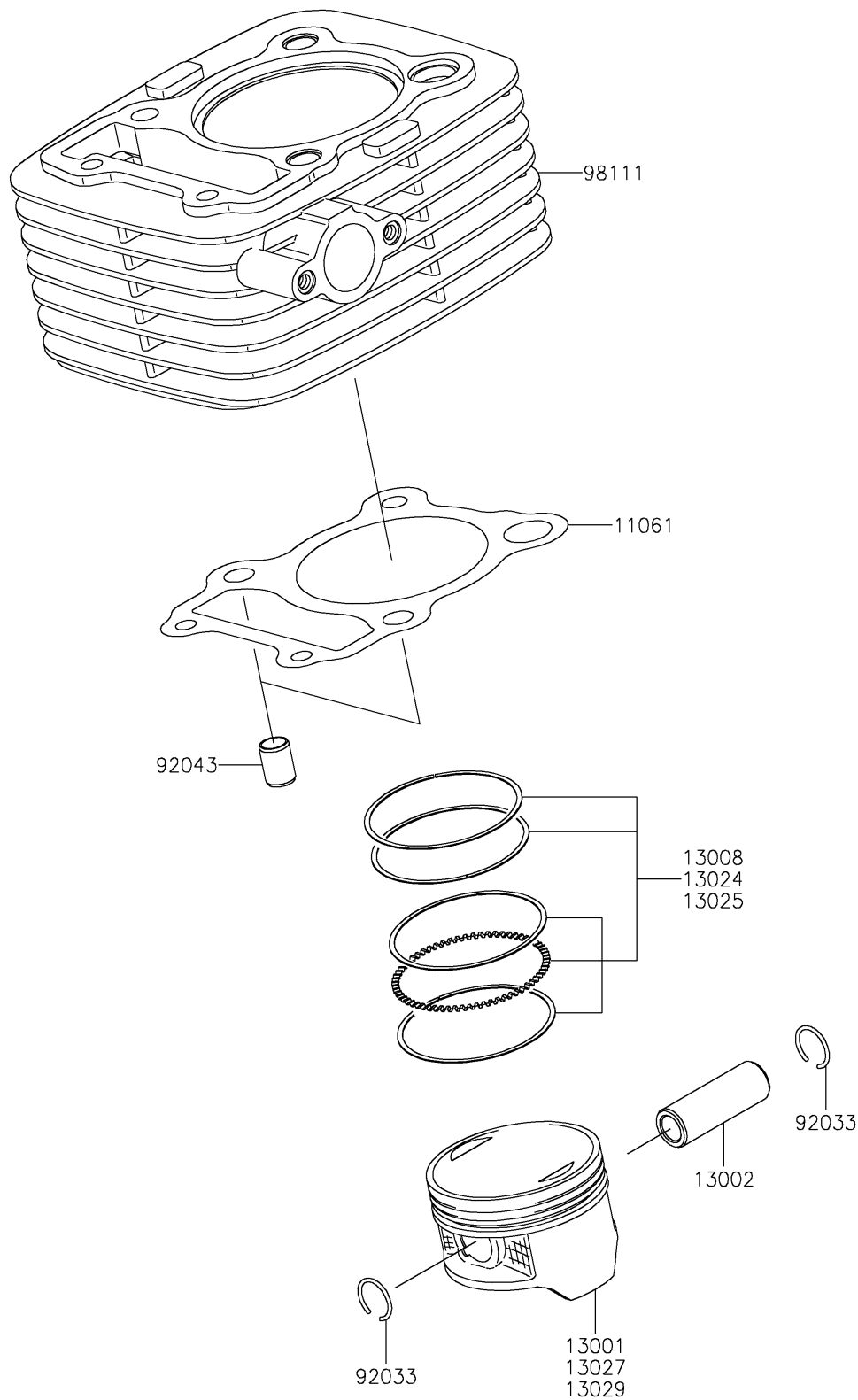


2019 KLX® 140G PARTS DIAGRAM

Cylinder/Piston(s)

E1120



2019 KLX® 140G PARTS LIST

Cylinder/Piston(s)

| ITEM NAME | PART NUMBER | QUANTITY |
|---|-------------|----------|
| GASKET,CYLINDER BASE (Ref # 11061) | 11061-0319 | 1 |
| PISTON-ENGINE (Ref # 13001) | 13001-0093 | 1 |
| PIN-PISTON (Ref # 13002) | 13002-1126 | 1 |
| RING-SET-PISTON (Ref # 13008) | 13008-0038 | 1 |
| RING-SET-PISTON LL,O/S 1.00 (Ref # 13024) | 13024-0009 | 1 |
| RING-SET-PISTON L,O/S 0.50 (Ref # 13025) | 13025-0011 | 1 |
| PISTON-ENGINE LL,O/S 1.00 (Ref # 13027) | 13027-0013 | 1 |
| PISTON-ENGINE L,O/S 0.50 (Ref # 13029) | 13029-0018 | 1 |
| RING-SNAP (Ref # 92033) | 92033-1287 | 1 |
| PIN,8.2X10X14 (Ref # 92043) | 92043-1264 | 1 |
| CYLINDER-COMP-ENGINE (Ref # 98111) | 98111-0024 | 1 |