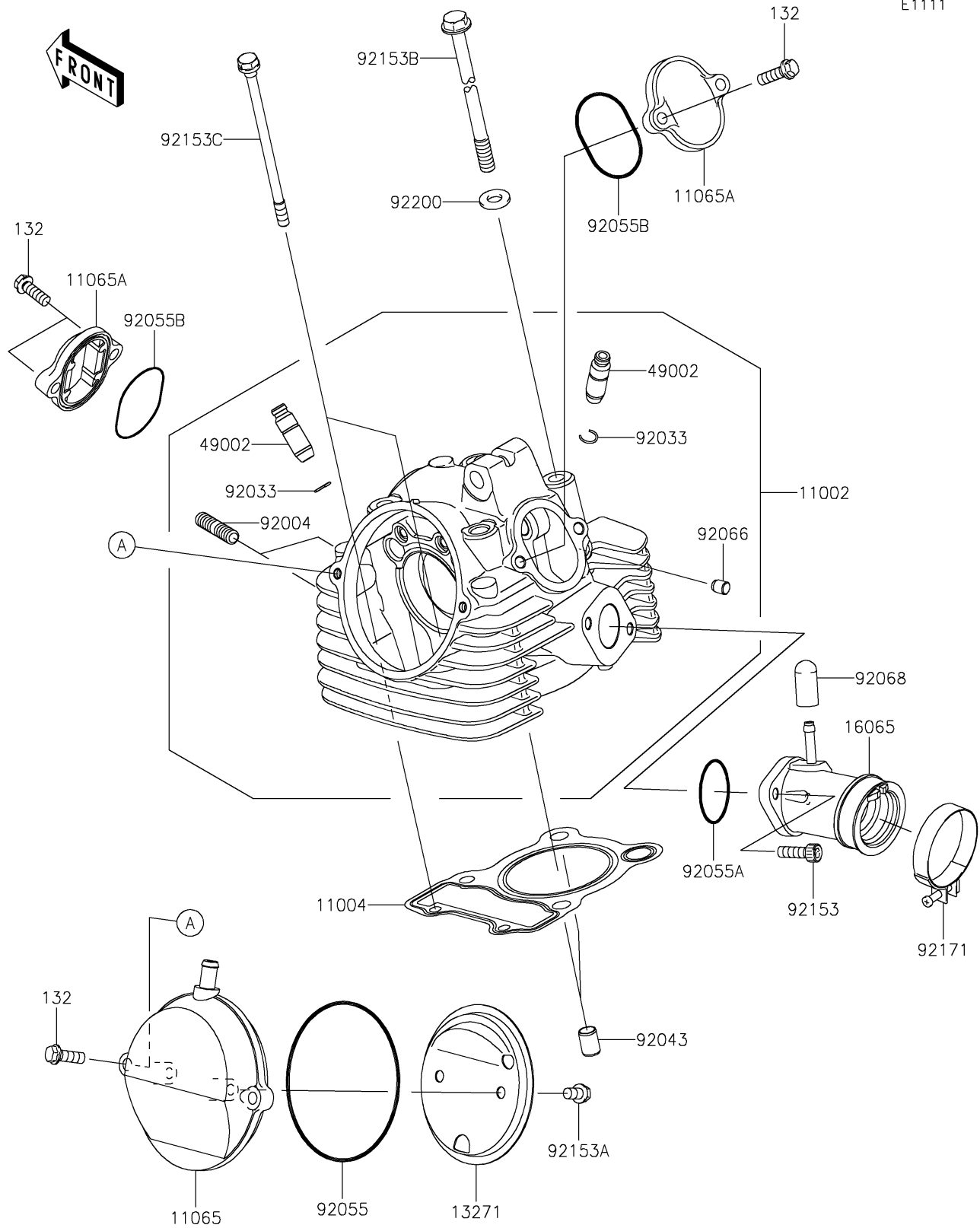


2019 KLX® 140G PARTS DIAGRAM

Cylinder Head

E1111



2019 KLX® 140G PARTS LIST

Cylinder Head

ITEM NAME	PART NUMBER	QUANTITY
HEAD-ASSY-CYLINDER (Ref # 11002)	11002-0061	1
GASKET-HEAD (Ref # 11004)	11004-0065	1
CAP (Ref # 11065)	11065-0212	1
CAP, VALVE ADJUSTING (Ref # 11065A)	11065-0252	1
BOLT-FLANGED-SMALL, 6X20 (Ref # 132)	132BA0620	1
PLATE, BREATHER (Ref # 13271)	13271-1844	1
HOLDER-CARBURETOR (Ref # 16065)	16065-0054	1
GUIDE-VALVE (Ref # 49002)	49002-0019	1
STUD, 8X22 (Ref # 92004)	92004-1217	1
RING-SNAP (Ref # 92033)	92033-1247	1
PIN, 8.2X10X14 (Ref # 92043)	92043-1264	1
RING-O, 86X1.9 (Ref # 92055)	92055-0202	1
RING-O, 32MM (Ref # 92055A)	92055-1256	1
RING-O, ADJUST CAP (Ref # 92055B)	92055-1655	1
PLUG, OIL LINE, 7.2X8 (Ref # 92066)	92066-1012	1
PLUG, 12X25 (Ref # 92068)	92068-006	1
BOLT, 6X20 (Ref # 92153)	92153-0481	1
BOLT, 6X10 (Ref # 92153A)	92153-1140	1
BOLT, 8X201 (Ref # 92153B)	92153-1141	1
BOLT, FLANGED, 6X110 (Ref # 92153C)	92153-1970	1
CLAMP (Ref # 92171)	92171-0691	1
WASHER, 8.2X17X2.3 (Ref # 92200)	92200-1631	1