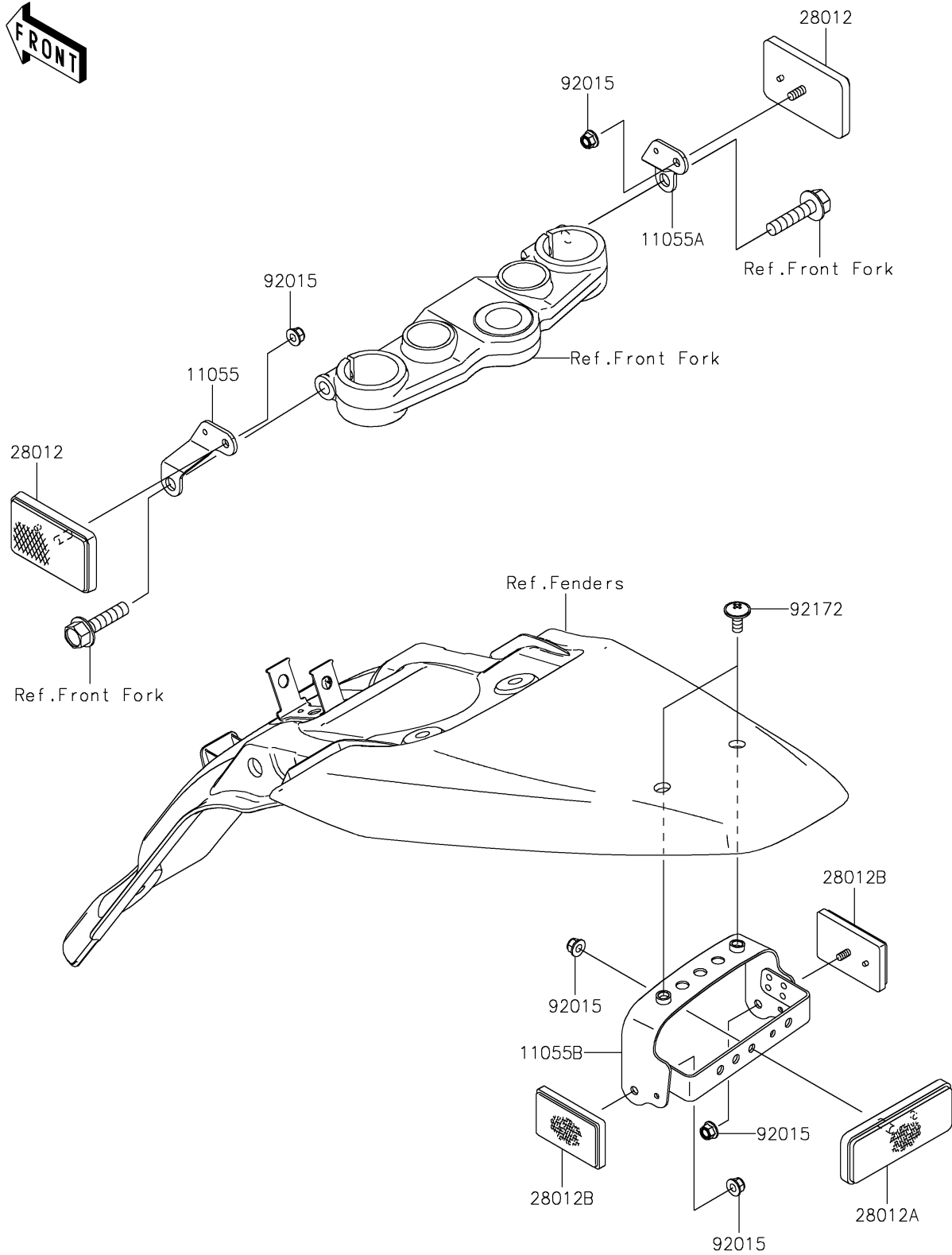


2020 KLX® 140L PARTS DIAGRAM

Reflectors(CN)

F2790



2020 KLX® 140L PARTS LIST

Reflectors(CN)

ITEM NAME	PART NUMBER	QUANTITY
BRACKET,REFLECTOR,FR,LH (Ref # 11055)	11055-0469	1
BRACKET,REFLECTOR,FR,RH (Ref # 11055A)	11055-0470	1
BRACKET,REFLECTOR,RR (Ref # 11055B)	11055-0770	1
REFLECTOR-REFLEX (Ref # 28012)	28012-1003	1
REFLECTOR-REFLEX (Ref # 28012A)	28012-1077	1
REFLECTOR-REFLEX (Ref # 28012B)	28012-1088	1
NUT,LOCK,FLANGED,5MM (Ref # 92015)	92015-1752	1
SCREW,6X14 (Ref # 92172)	92172-0401	1