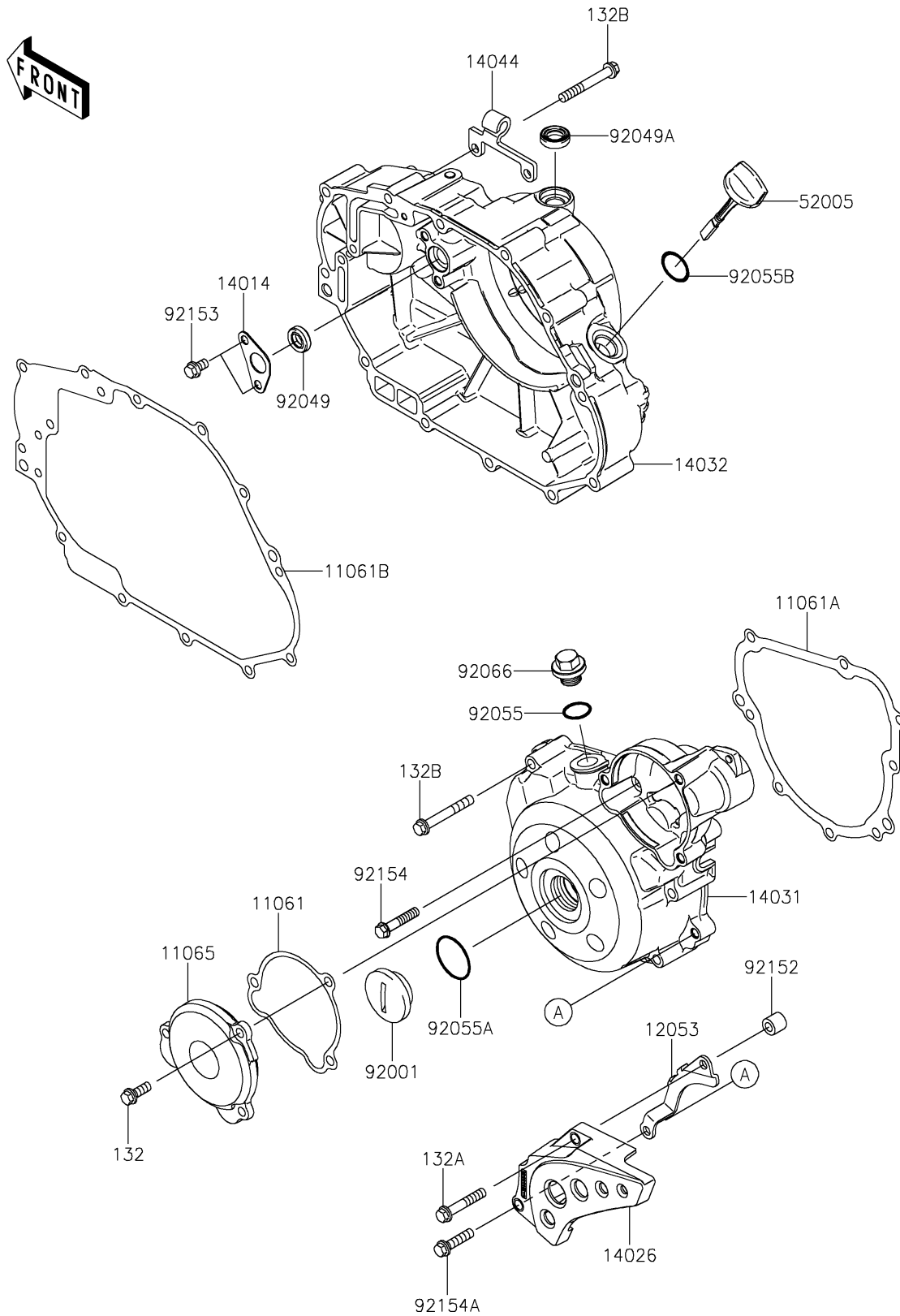


## 2020 KLX® 140L PARTS DIAGRAM

Engine Cover(s)

E1431



## 2020 KLX® 140L PARTS LIST

Engine Cover(s)

ITEM NAME	PART NUMBER	QUANTITY
GASKET (Ref # 11061)	11061-0300	1
GASKET,GENERATOR COVER (Ref # 11061A)	11061-0820	1
GASKET,CLUTCH COVER (Ref # 11061B)	11061-1315	1
CAP (Ref # 11065)	11065-0209	1
GUIDE-CHAIN (Ref # 12053)	12053-0134	1
BOLT-FLANGED-SMALL,6X16 (Ref # 132)	132BA0616	1
BOLT-FLANGED-SMALL,6X35 (Ref # 132A)	132BA0635	1
BOLT-FLANGED-SMALL,6X45 (Ref # 132B)	132BA0645	1
PLATE-POSITION (Ref # 14014)	14014-1153	1
COVER-CHAIN (Ref # 14026)	14026-0084	1
COVER-GENERATOR (Ref # 14031)	14031-0116	1
COVER-CLUTCH (Ref # 14032)	14032-0116	1
HOLDER-CABLE (Ref # 14044)	14044-0044	1
GAUGE,OIL LEVEL (Ref # 52005)	52005-0724	1
BOLT,GENERATOR COVER CAP (Ref # 92001)	92001-1827	1
SEAL-OIL,10X18X5 (Ref # 92049)	92049-0104	1
SEAL-OIL,12X20X5.5 (Ref # 92049A)	92049-0142	1
RING-O,14.8X2.4 (Ref # 92055)	92055-0153	1
RING-O,25.7X2.4 (Ref # 92055A)	92055-0154	1
RING-O,20X2 (Ref # 92055B)	92055-0155	1
PLUG,14X10 (Ref # 92066)	92066-1571	1
COLLAR,6.5X12X11 (Ref # 92152)	92152-0692	1
BOLT,6X10 (Ref # 92153)	92153-1140	1
BOLT,FLANGED,6X30 (Ref # 92154)	92154-1080	1
BOLT,FLANGED,6X25 (Ref # 92154A)	92154-2154	1