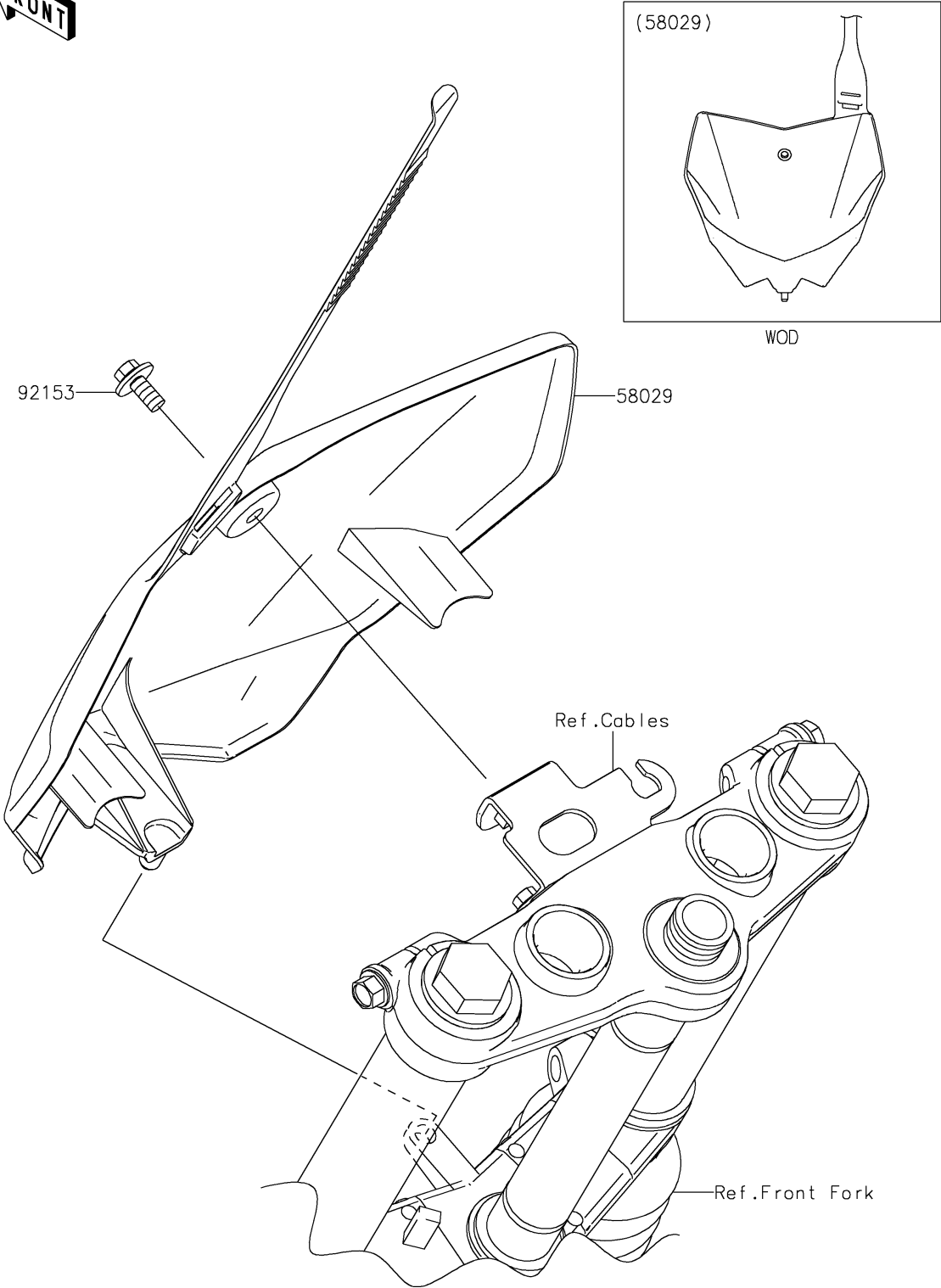


2017 KLX® 140 PARTS DIAGRAM

Accessory

F2910



2017 KLX®140 PARTS LIST

Accessory

ITEM NAME	PART NUMBER	QUANTITY
PLATE-NUMBER,B.WHITE (Ref # 58029)	58029-0005-266	1
BOLT,FLANGED,6X14 (Ref # 92153)	92153-0936	1