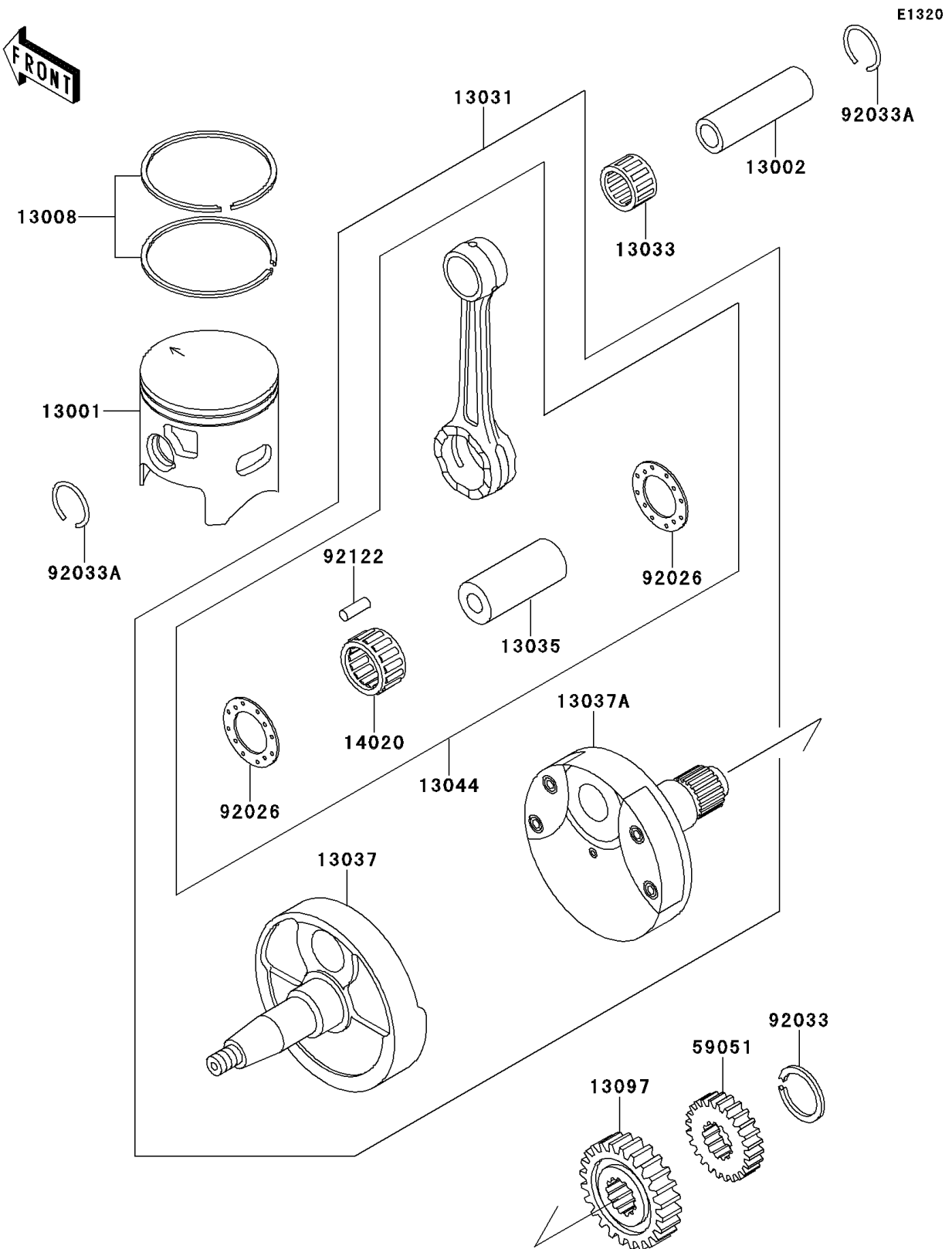


1993 KX250 PARTS DIAGRAM

Crankshaft/Piston



1993 KX250 PARTS LIST

Crankshaft/Piston

ITEM NAME	PART NUMBER	QUANTITY
PISTON-ENGINE,(B) (Ref # 13001)	13001-1375	1
PIN-PISTON (Ref # 13002)	13002-1068	1
RING-SET-PISTON (Ref # 13008)	13008-1141	1
CRANKSHAFT-COMP (Ref # 13031)	13031-1347	1
BEARING-NEEDLE,KBK18X22X23.8X (Ref # 13033)	13033-1010	1
PIN-CRANK (Ref # 13035)	13035-034	1
CRANKSHAFT,LH (Ref # 13037)	13037-1434	1
CRANKSHAFT,RH (Ref # 13037A)	13037-1435	1
SET-CONNECTING ROD (Ref # 13044)	13044-5056	1
GEAR-PRIMARY SPUR,20T (Ref # 13097)	13097-1308	1
RETAINER (Ref # 14020)	14020-1066	1
GEAR-SPUR,27T (Ref # 59051)	59051-1248	1
SPACER,24X42X1.6 (Ref # 92026)	92026-1241	2
RING-SNAP,20X25.5X1.2 (Ref # 92033)	92033-025	1
RING-SNAP,PISTON PIN (Ref # 92033A)	92033-1267	2
ROLLER (Ref # 92122)	92122-1132	16