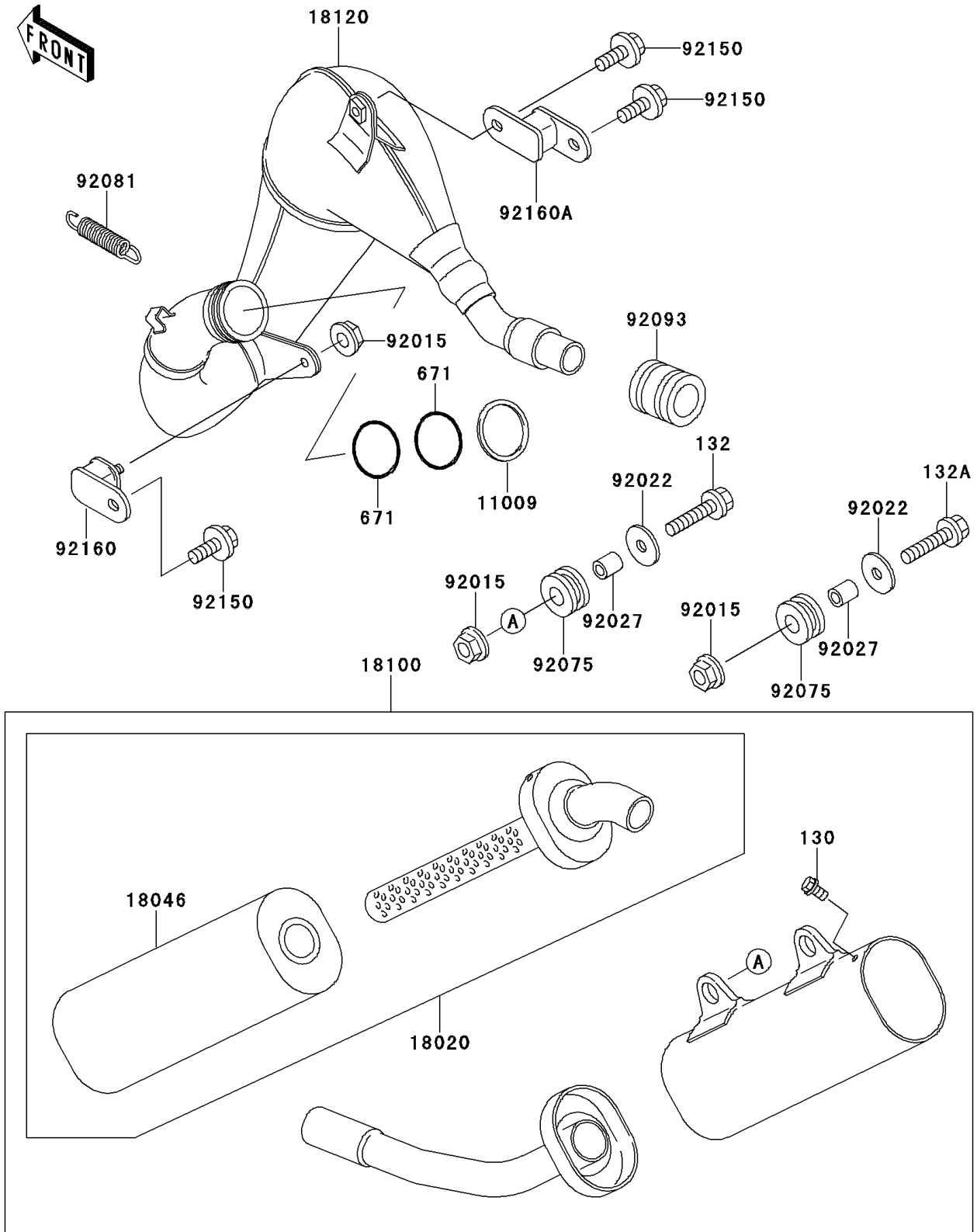


1993 KX250 PARTS DIAGRAM

Muffler

E1140



1993 KX250 PARTS LIST

Muffler

ITEM NAME	PART NUMBER	QUANTITY
GASKET,EXHAUST PIPE (Ref # 11009)	11009-1949	1
BOLT-FLANGED (Ref # 130)	130G0508	4
BOLT-FLANGED-SMALL (Ref # 132)	132G0630	1
BOLT-FLANGED-SMALL (Ref # 132A)	132G0635	1
BAFFLE (Ref # 18020)	18020-1182	1
WOOL,BAFFLE PIPE (Ref # 18046)	18046-1168	1
BODY-ASSY-MUFFLER (Ref # 18100)	18100-1054	1
CHAMBER-EXHAUST (Ref # 18120)	18120-1054	1
O RING,50MM (Ref # 671)	671E2550	2
NUT,FLANGED,6MM (Ref # 92015)	92015-1078	3
WASHER,6.5X22X1.6 (Ref # 92022)	92022-237	2
COLLAR,6.8X10X11.5 (Ref # 92027)	92027-1210	2
DAMPER,MUFFLER FITTING (Ref # 92075)	92075-1857	2
SPRING (Ref # 92081)	92081-1526	2
SEAL,MUFFLER CONNECTING (Ref # 92093)	92093-1328	1
BOLT,6X12 (Ref # 92150)	92150-1435	3
DAMPER,MUFFLER,FR (Ref # 92160)	92160-1176	1
DAMPER,MUFFLER,RR (Ref # 92160A)	92160-1201	1