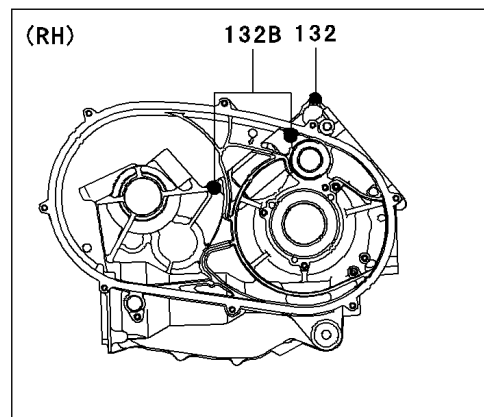
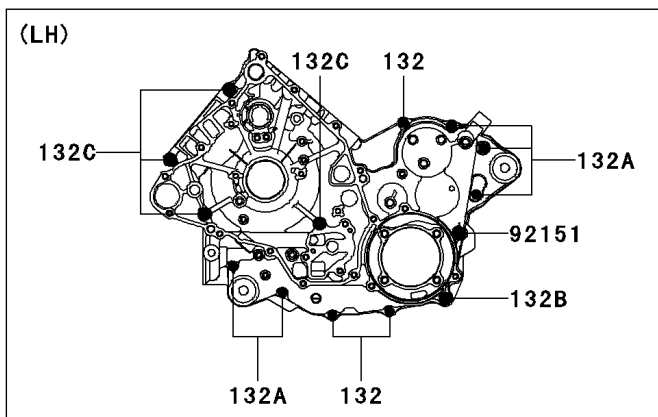
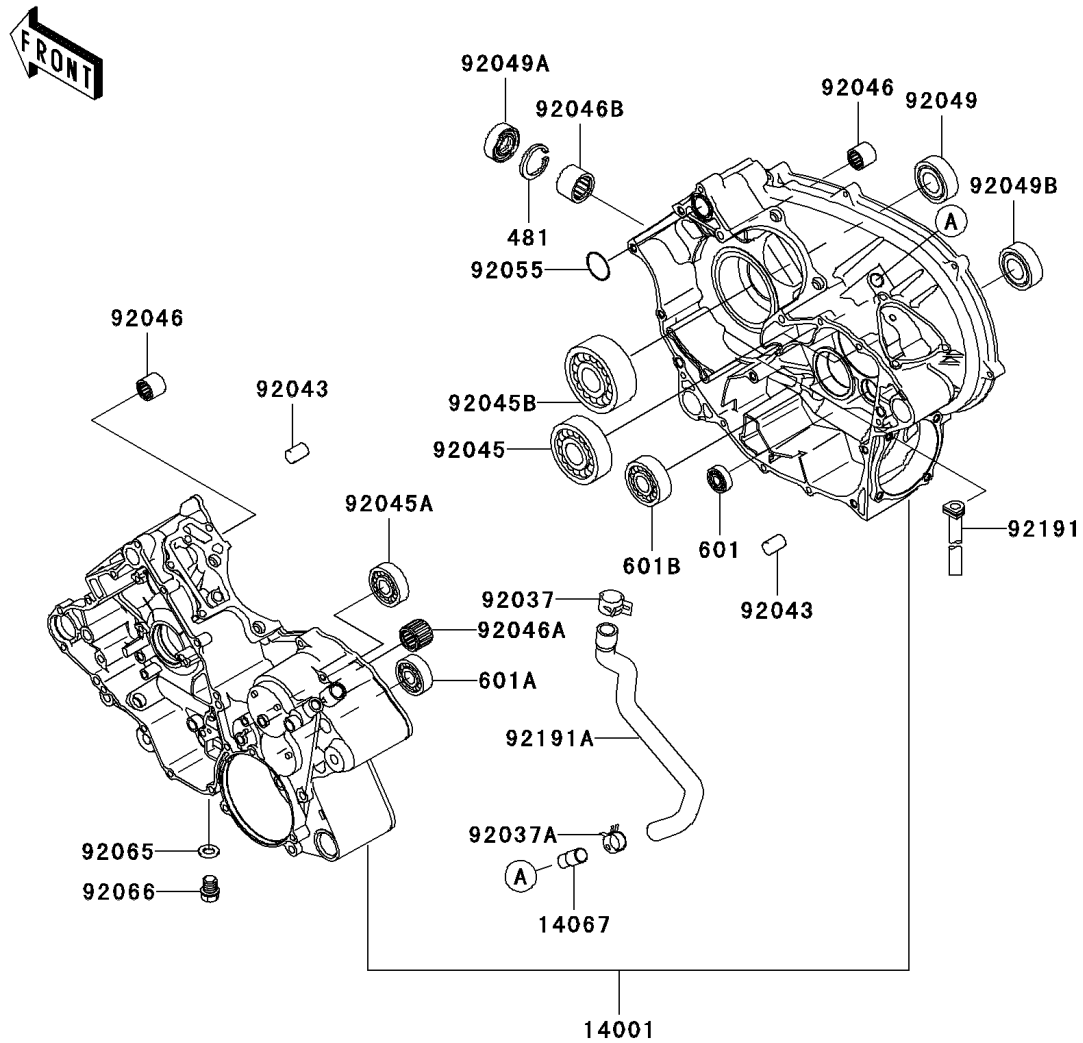


2003 Prairie 650 4X4 Advantage Classic

PARTS DIAGRAM

Crankcase

E1411



2003 Prairie 650 4X4 Advantage Classic

Kawasaki
Let the Good Times Roll®

PARTS LIST

Crankcase

ITEM NAME	PART NUMBER	QUANTITY
BOLT-FLANGED-SMALL (Ref # 132)	132Y0640	4
BOLT-FLANGED-SMALL (Ref # 132A)	132Y0665	5
BOLT-FLANGED-SMALL (Ref # 132B)	132Y08110	3
BOLT-FLANGED-SMALL (Ref # 132C)	132Y0875	4
CIRCLIP-TYPE-C,37MM (Ref # 481)	481J3700	1
BEARING-BALL (Ref # 601)	601A6000	1
BEARING-BALL,#6004 (Ref # 601A)	601A6004	1
BEARING-BALL,#6304 (Ref # 601B)	601A6304	1
SET-CRANKCASE (Ref # 14001)	14001-1294	1
FITTING,BREATHER (Ref # 14067)	14067-006	1
CLAMP (Ref # 92037)	92037-1730	1
CLAMP (Ref # 92037A)	92037-1860	1
PIN (Ref # 92043)	92043-1506	2
BEARING-BALL,6306SH2 (Ref # 92045)	92045-1190	1
BEARING-BALL (Ref # 92045A)	92045-1389	1
BEARING-BALL (Ref # 92045B)	92045-1415	1
BEARING-NEEDLE,TA202715ZE (Ref # 92046)	92046-1118	2
BEARING-NEEDLE (Ref # 92046A)	92046-1143	1
BEARING-NEEDLE (Ref # 92046B)	92046-1277	1
SEAL-OIL,TC35508 (Ref # 92049)	92049-1452	1
SEAL-OIL (Ref # 92049A)	92049-1570	1
SEAL-OIL (Ref # 92049B)	92049-1575	1
RING-O,25.7X2.4 (Ref # 92055)	92055-1136	1
GASKET,12X22X2,DRAIN PLUG (Ref # 92065)	92065-097	1
PLUG,OIL DRAIN,12X15 (Ref # 92066)	92066-1174	1
BOLT,8MM (Ref # 92151)	92151-1689	1
TUBE,OIL RETURN (Ref # 92191)	92191-1449	1
TUBE,BREATHER (Ref # 92191A)	92191-1740	1