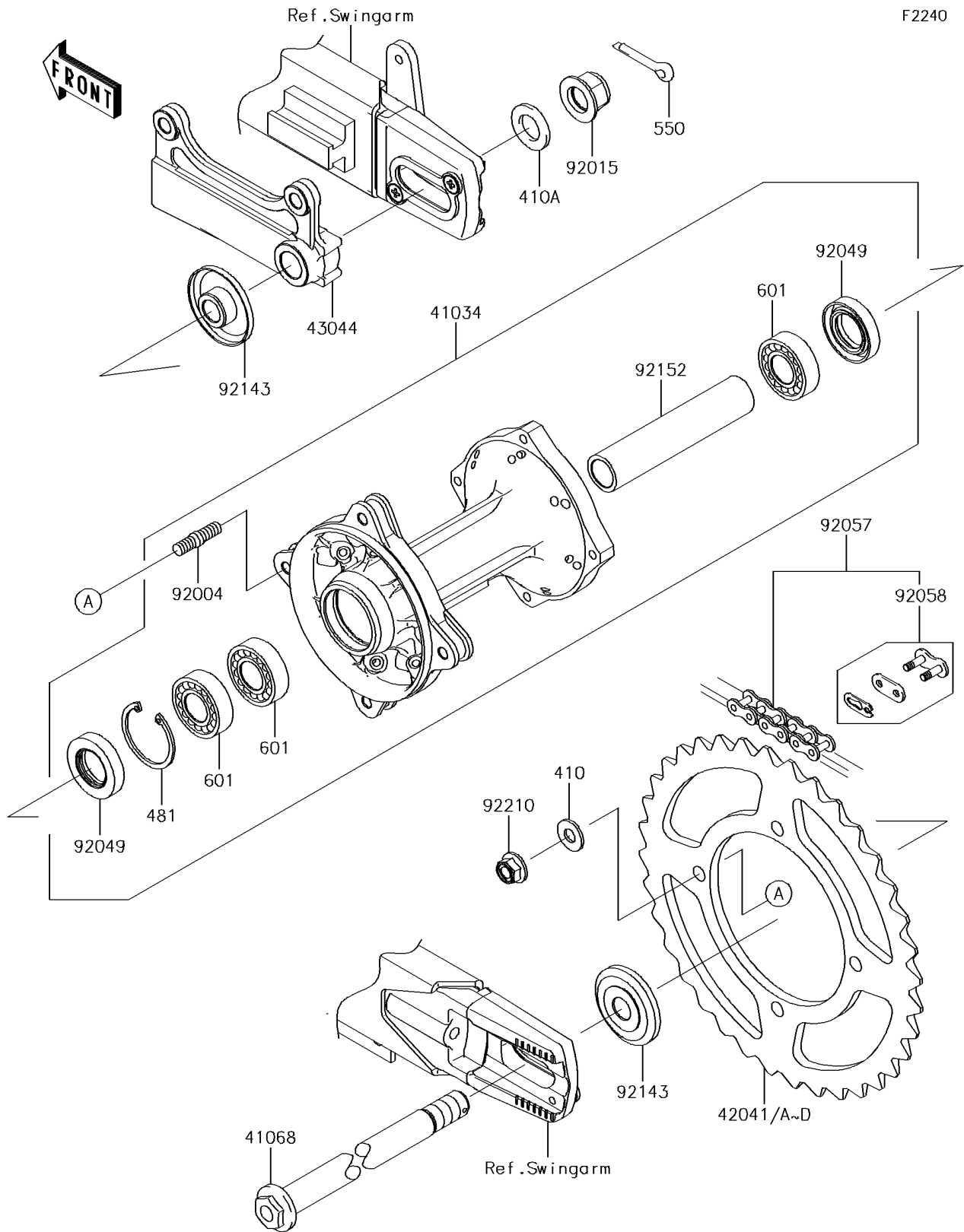


2017 KX™ 85 PARTS DIAGRAM

Rear Hub



2017 KX™ 85 PARTS LIST

Rear Hub

| ITEM NAME | PART NUMBER | QUANTITY |
|--|-------------|----------|
| WASHER-PLAIN-SMALL,8MM (Ref # 410) | 410AA0800 | 4 |
| DRUM-ASSY,REAR BRAKE (Ref # 41034) | 41034-0570 | 1 |
| AXLE,RR (Ref # 41068) | 41068-1401 | 1 |
| WASHER-PLAIN-SMALL,14MM (Ref # 410A) | 410AA1400 | 1 |
| SPROCKET-HUB,49T (Ref # 42041) | 42041-1207 | 1 |
| SPROCKET-HUB,48T (Ref # 42041A) | 42041-1227 | 1 |
| SPROCKET-HUB,50T (Ref # 42041B) | 42041-1228 | 1 |
| SPROCKET-HUB,51T (Ref # 42041C) | 42041-1229 | 1 |
| SPROCKET-HUB,52T (Ref # 42041D) | 42041-1245 | 1 |
| HOLDER-COMP-CALIPER (Ref # 43044) | 43044-1122 | 1 |
| CIRCLIP-TYPE-C,35MM (Ref # 481) | 481J3500 | 1 |
| PIN-COTTER,2.5X20 (Ref # 550) | 550AA2520 | 1 |
| BEARING-BALL (Ref # 601) | 601B6202UU | 3 |
| STUD,8X16 (Ref # 92004) | 92004-0730 | 4 |
| NUT,FLANGED,14MM (Ref # 92015) | 92015-1401 | 1 |
| SEAL-OIL (Ref # 92049) | 92049-1469 | 2 |
| CHAIN,DRIVE,DID420DS2X120L (Ref # 92057) | 92057-1496 | 1 |
| JOINT-CHAIN,DRIVE (Ref # 92058) | 92058-1086 | 1 |
| COLLAR,RR AXLE,L=12.5 (Ref # 92143) | 92143-1938 | 2 |
| COLLAR,RR BRAKE DRUM,L=95 (Ref # 92152) | 92152-1090 | 1 |
| NUT,FLANGED,LOCK,8MM (Ref # 92210) | 92210-0493 | 4 |