

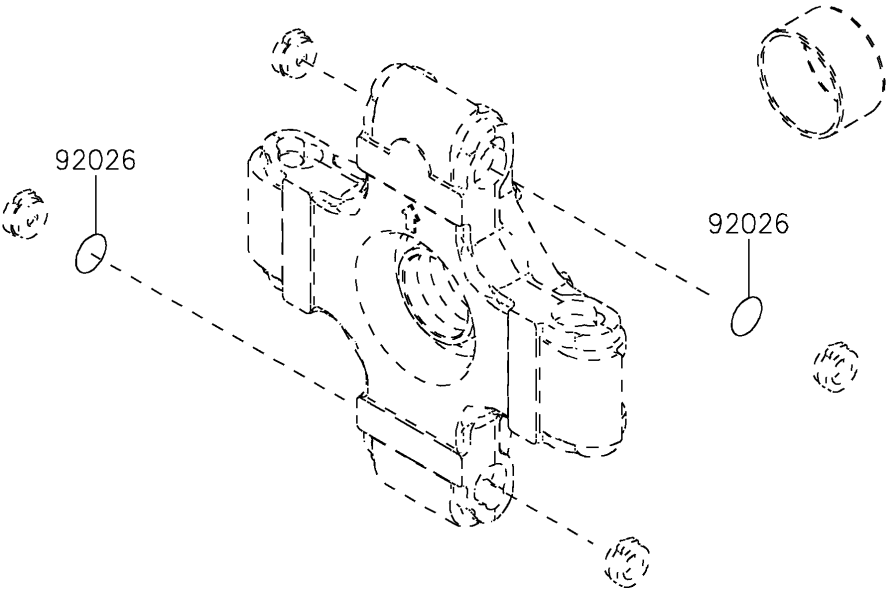
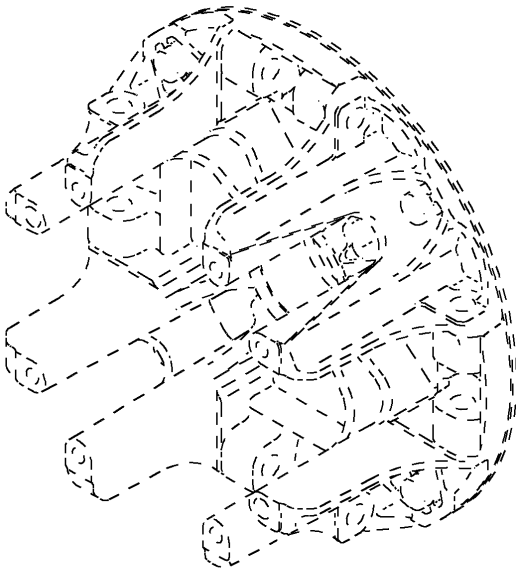
2019 MULE PRO-DXT™ EPS LE PARTS DIAGRAM

Optional Parts

F2890



(Ref. Drive Converter)



2019 MULE PRO-DXT™ EPS LE PARTS LIST

Optional Parts

ITEM NAME	PART NUMBER	QUANTITY
SPACER,T=0.1 (Ref # 92026)	92026-0038	1