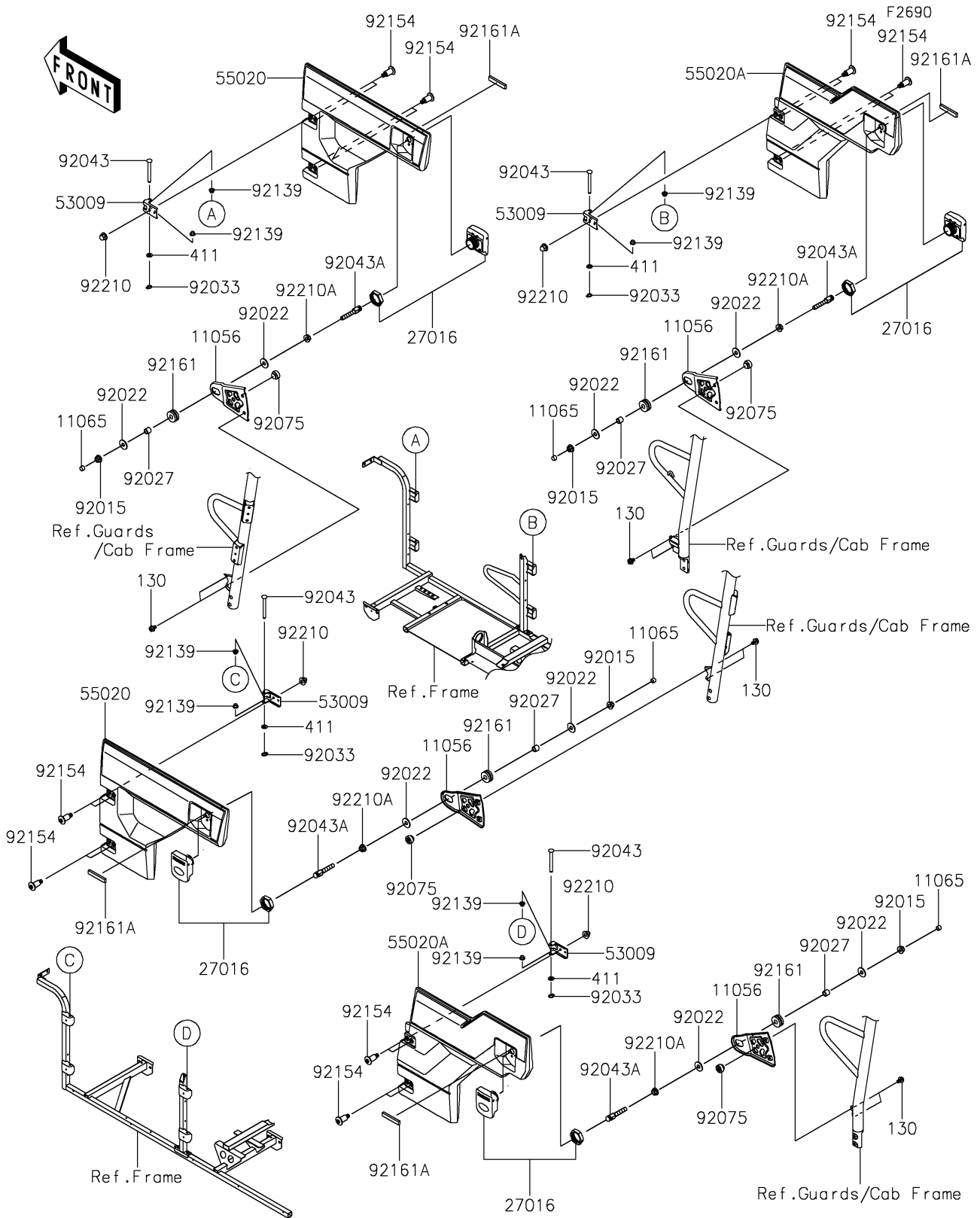


## 2019 MULE PRO-DXT™ EPS LE PARTS DIAGRAM

Door



## 2019 MULE PRO-DXT™ EPS LE PARTS LIST

Door

ITEM NAME	PART NUMBER	QUANTITY
BRACKET, DOOR GUARD (Ref # 11056)	11056-2856	1
CAP (Ref # 11065)	11065-7504	1
BOLT-FLANGED, 6X10 (Ref # 130)	130BA0610	1
LOCK-ASSY (Ref # 27016)	27016-0084	1
WASHER-PLAIN, 6MM (Ref # 411)	411AB0600	1
HINGE (Ref # 53009)	53009-0303	1
GUARD, FR, F. BLACK (Ref # 55020)	55020-0936-6Z	1
GUARD, RR, F. BLACK (Ref # 55020A)	55020-0937-6Z	1
NUT, 8MM (Ref # 92015)	92015-1432	1
WASHER, PLAIN (Ref # 92022)	92022-3026	1
COLLAR, 8.8X12X10.7 (Ref # 92027)	92027-102	1
RING-SNAP (Ref # 92033)	92033-0719	1
PIN, 6X56 (Ref # 92043)	92043-0743	1
PIN, DOOR LOCK (Ref # 92043A)	92043-0788	1
DAMPER (Ref # 92075)	92075-1598	1
BUSHING, 6X8X6 (Ref # 92139)	92139-0709	1
BOLT, SOCKET, 8X30 (Ref # 92154)	92154-1369	1
DAMPER, 10X26X11.5 (Ref # 92161)	92161-1691	1
DAMPER, 9X52X5 (Ref # 92161A)	92161-1837	1
NUT, CAP, 8MM (Ref # 92210)	92210-0488	1
NUT, FLANGED, 8MM (Ref # 92210A)	92210-0555	1