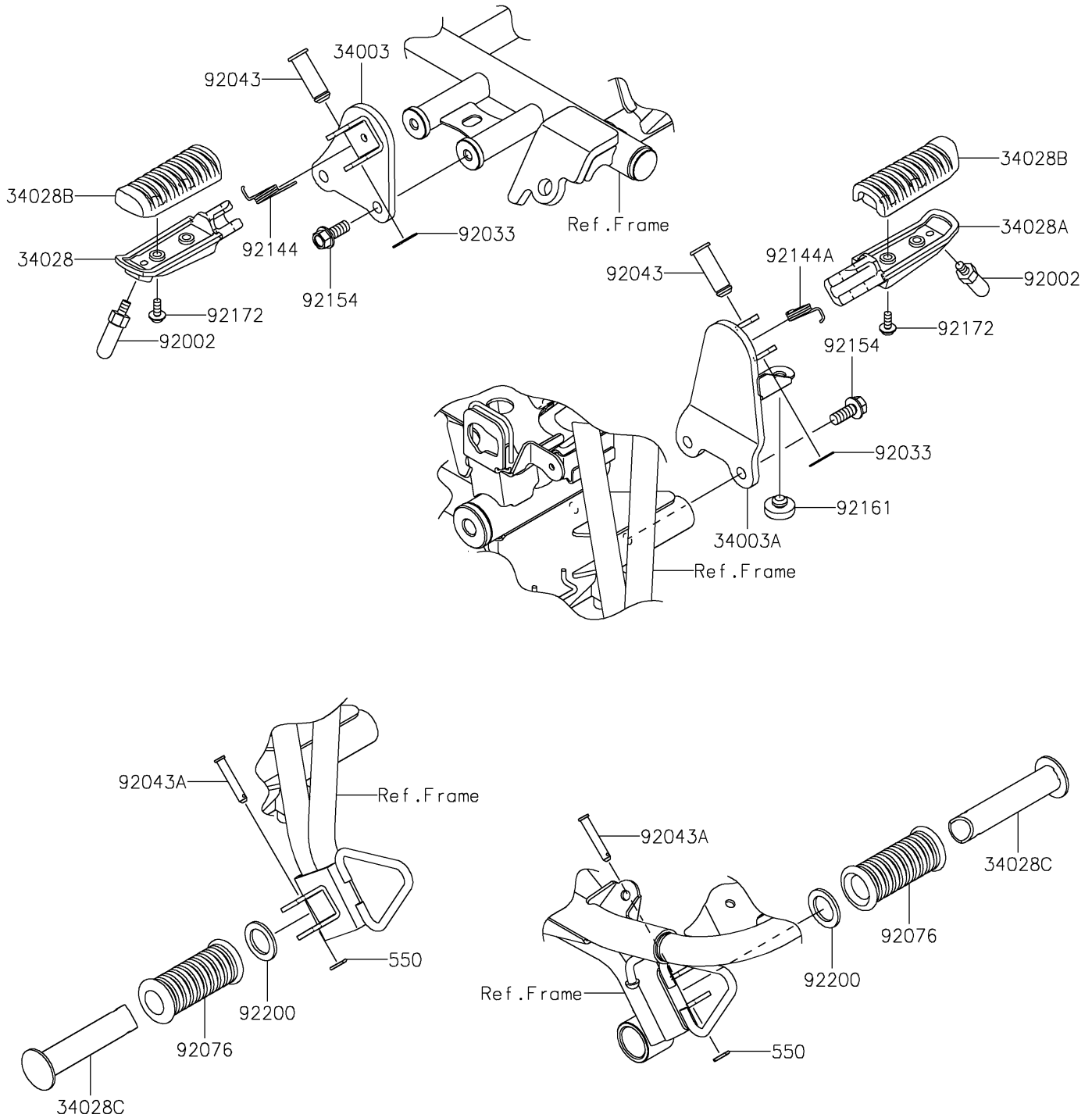


2019 W175 SE (Indonesia Only) PARTS DIAGRAM

Footrests

F2160



2019 W175 SE (Indonesia Only) PARTS LIST

Footrests

ITEM NAME	PART NUMBER	QUANTITY
HOLDER-STEP,LH (Ref # 34003)	34003-0176	1
HOLDER-STEP,RH (Ref # 34003A)	34003-0177	1
STEP,FR,LH (Ref # 34028)	34028-0035	1
STEP,FR,RH (Ref # 34028A)	34028-0036	1
STEP,FR,RUBBER (Ref # 34028B)	34028-0056	1
STEP,RR (Ref # 34028C)	34028-0368	1
PIN-COTTER,2.0X15 (Ref # 550)	550AA2015	1
BOLT,BANK SENSOR (Ref # 92002)	92002-1995	1
RING-SNAP,10MM (Ref # 92033)	92033-0742	1
PIN,12X37 (Ref # 92043)	92043-0025	1
PIN,6X35 (Ref # 92043A)	92043-0799	1
DAMPER (Ref # 92076)	92076-020	1
SPRING,STEP RETURN (Ref # 92144)	92144-1567	1
SPRING,STEP RETURN (Ref # 92144A)	92144-1568	1
BOLT,FLANGED,8X20 (Ref # 92154)	92154-3766	1
DAMPER,8X22X6 (Ref # 92161)	92161-1996	1
SCREW,5X14 (Ref # 92172)	92172-0976	1
WASHER,20X30X2.3 (Ref # 92200)	92200-1928	1