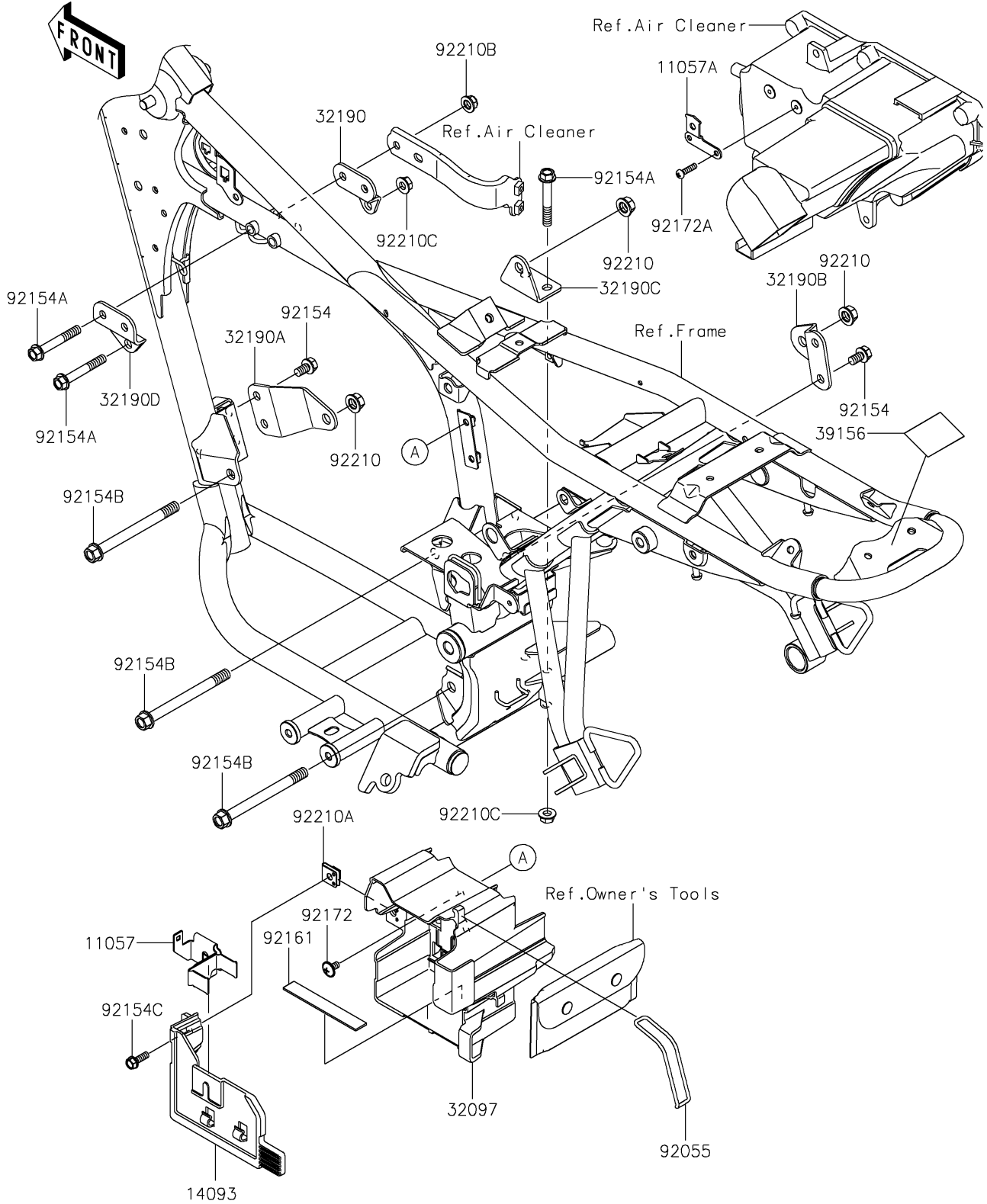


2019 W175 SE (Indonesia Only) PARTS DIAGRAM

Frame Fittings

F2131



2019 W175 SE (Indonesia Only) PARTS LIST

Frame Fittings

ITEM NAME	PART NUMBER	QUANTITY
BRACKET,STARTER (Ref # 11057)	11057-1062	1
BRACKET,FLASHER (Ref # 11057A)	11057-1232	1
COVER,BATTERY (Ref # 14093)	14093-0632	1
CASE-BATTERY (Ref # 32097)	32097-0047	1
BRACKET-ENGINE,HEAD,RH (Ref # 32190)	32190-0761	1
BRACKET-ENGINE,RH,FR (Ref # 32190A)	32190-0762	1
BRACKET-ENGINE,RH,RR,UPP (Ref # 32190B)	32190-0763	1
BRACKET-ENGINE,RH,RR,LWR (Ref # 32190C)	32190-0764	1
BRACKET-ENGINE,HEAD,LH (Ref # 32190D)	32190-0777	1
PAD,50X35X0.21 (Ref # 39156)	39156-2311	1
RING-O,59.4X3.1 (Ref # 92055)	92055-0880	1
BOLT,FLANGED,8X14 (Ref # 92154)	92154-2780	1
BOLT,FLANGED,8X55 (Ref # 92154A)	92154-2782	1
BOLT,FLANGED,10X110 (Ref # 92154B)	92154-2783	1
BOLT,FLANGED,6X18 (Ref # 92154C)	92154-3752	1
DAMPER,15X100X2 (Ref # 92161)	92161-2117	1
SCREW,CROSS,6X12 (Ref # 92172)	92172-1217	1
SCREW,CROSS,5X20 (Ref # 92172A)	92172-1218	1
NUT,10MM (Ref # 92210)	92210-1580	1
NUT,CLAMP,6MM (Ref # 92210A)	92210-1598	1
NUT,8MM,M=8.5 (Ref # 92210B)	92210-1649	1
NUT,8MM,M=7.5 (Ref # 92210C)	92210-1650	1