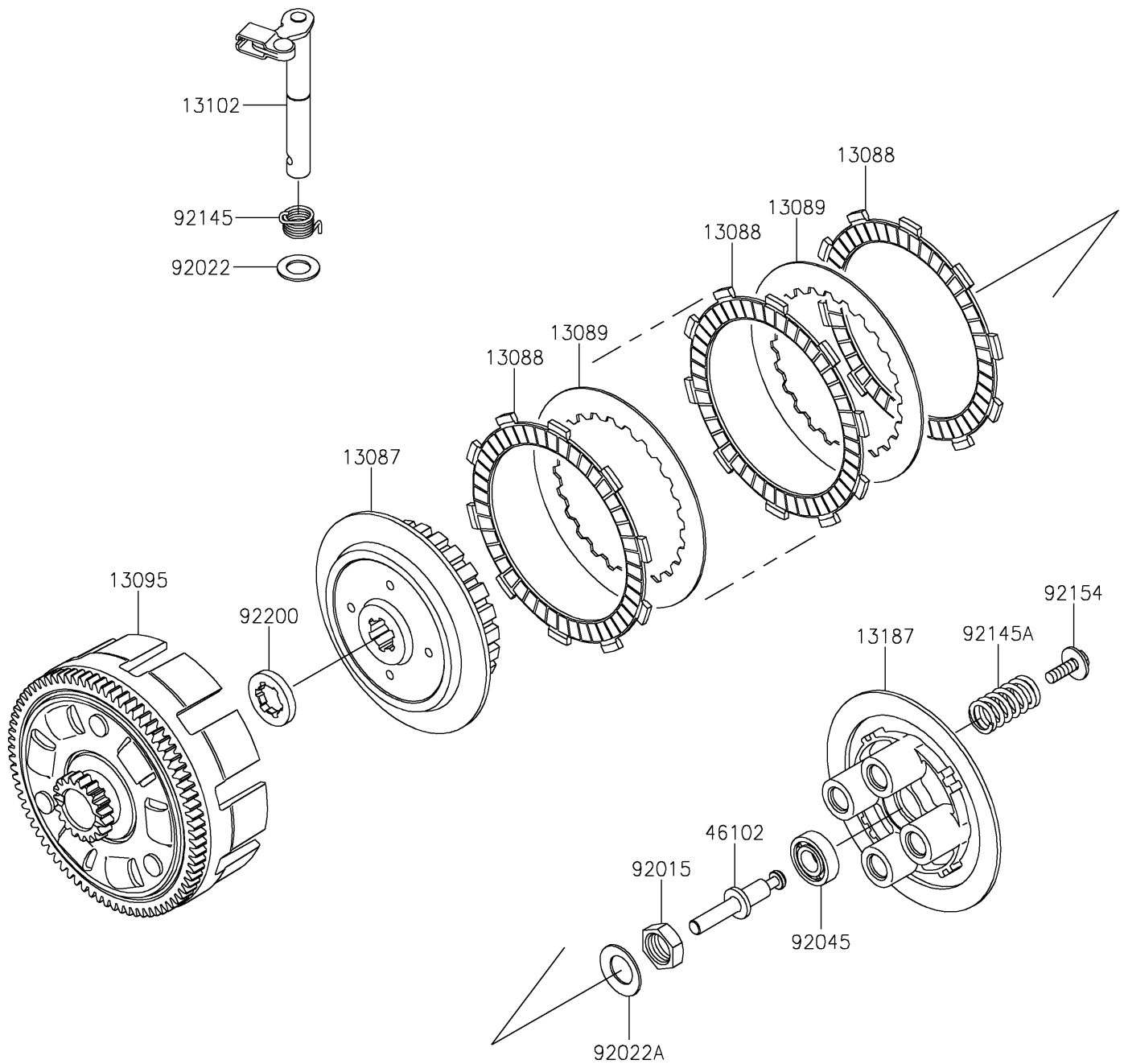


2019 W175 SE (Indonesia Only) PARTS DIAGRAM

Clutch

E1350



2019 W175 SE (Indonesia Only) PARTS LIST

Clutch

ITEM NAME	PART NUMBER	QUANTITY
HUB-CLUTCH (Ref # 13087)	13087-0563	1
PLATE-FRICTION (Ref # 13088)	13088-1068	1
PLATE-CLUTCH (Ref # 13089)	13089-1076	1
HOUSING-COMP-CLUTCH (Ref # 13095)	13095-0590	1
RELEASE-COMP-CLUTCH (Ref # 13102)	13102-0042	1
PLATE-CLUTCH OPERATING (Ref # 13187)	13187-1072	1
ROD (Ref # 46102)	46102-0633	1
NUT,LOCK,16MM (Ref # 92015)	92015-072	1
WASHER,12.5X22X1.2 (Ref # 92022)	92022-072	1
WASHER,16.3X29X1.75 (Ref # 92022A)	92022-1356	1
BEARING-BALL,12X28X8 (Ref # 92045)	92045-0830	1
SPRING,RELEASE SHAFT (Ref # 92145)	92145-1799	1
SPRING,CLUTCH (Ref # 92145A)	92145-1831	1
BOLT,WP,6X20 (Ref # 92154)	92154-2118	1
WASHER,20X30X4.5 (Ref # 92200)	92200-1910	1