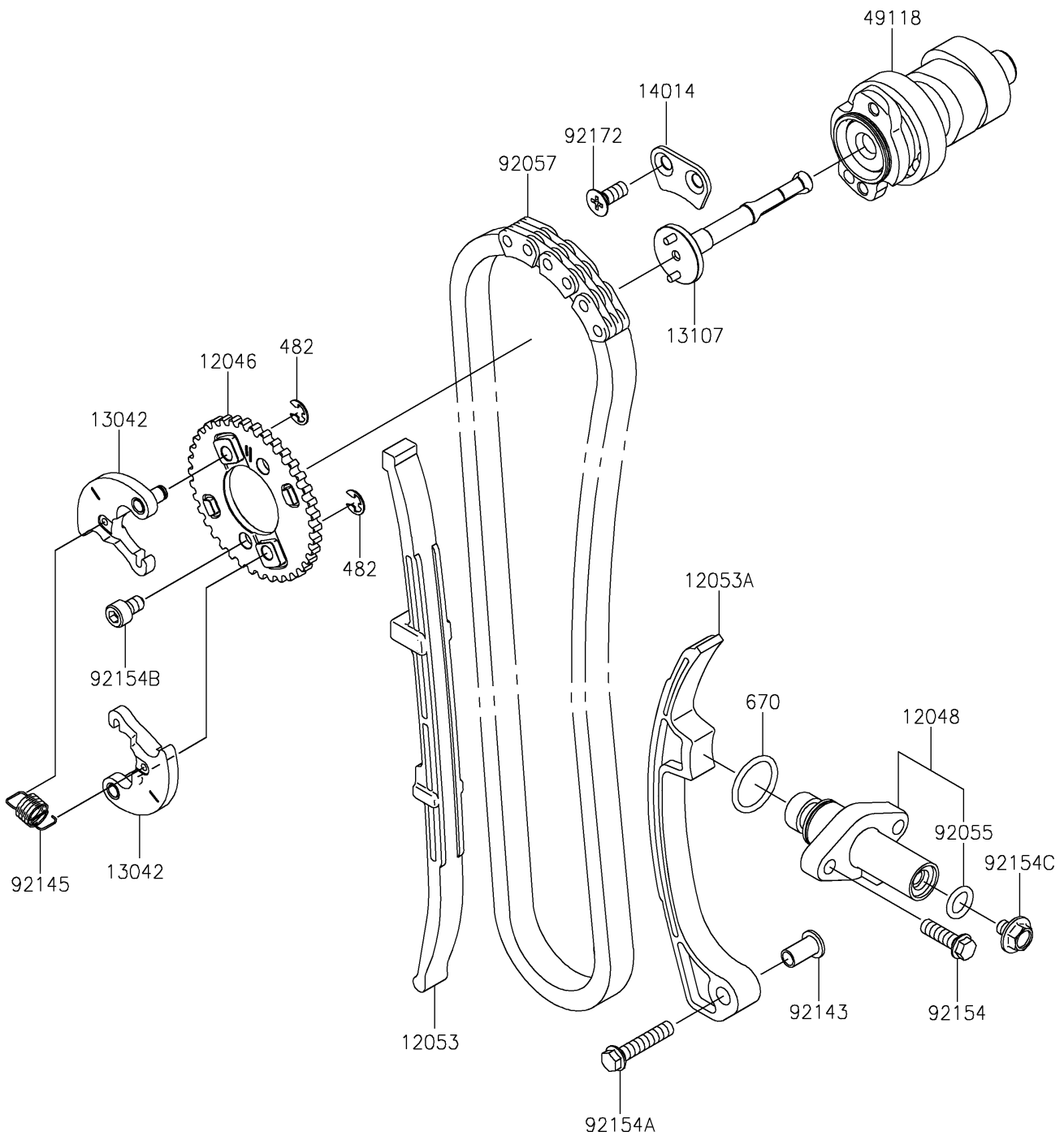


2019 W175 SE (Indonesia Only) PARTS DIAGRAM

Camshaft(s)/Tensioner

E1230



2019 W175 SE (Indonesia Only) PARTS LIST

Camshaft(s)/Tensioner

| ITEM NAME | PART NUMBER | QUANTITY |
|----------------------------------|-------------|----------|
| SPROCKET,38T (Ref # 12046) | 12046-0595 | 1 |
| TENSIONER-ASSY (Ref # 12048) | 12048-0114 | 1 |
| GUIDE-CHAIN,FR (Ref # 12053) | 12053-0242 | 1 |
| GUIDE-CHAIN,RR (Ref # 12053A) | 12053-0243 | 1 |
| WEIGHT,DECOMP (Ref # 13042) | 13042-0772 | 1 |
| SHAFT,DECOMP (Ref # 13107) | 13107-0028 | 1 |
| PLATE-POSITION (Ref # 14014) | 14014-0009 | 1 |
| CIRCLIP-TYPE-E,5MM (Ref # 482) | 482J5000 | 1 |
| CAMSHAFT-COMP (Ref # 49118) | 49118-0909 | 1 |
| O RING (Ref # 670) | 670E2021 | 1 |
| RING-O,2.4X9.8 (Ref # 92055) | 92055-0915 | 1 |
| CHAIN,CAM (Ref # 92057) | 92057-0728 | 1 |
| COLLAR (Ref # 92143) | 92143-1857 | 1 |
| SPRING (Ref # 92145) | 92145-0132 | 1 |
| BOLT,FLANGED,6X20 (Ref # 92154) | 92154-2757 | 1 |
| BOLT,FLANGED,6X30 (Ref # 92154A) | 92154-2758 | 1 |
| BOLT,SOCKET,6X10 (Ref # 92154B) | 92154-2759 | 1 |
| BOLT,FLANGED,6X8 (Ref # 92154C) | 92154-3793 | 1 |
| SCREW,6X15 (Ref # 92172) | 92172-1228 | 1 |