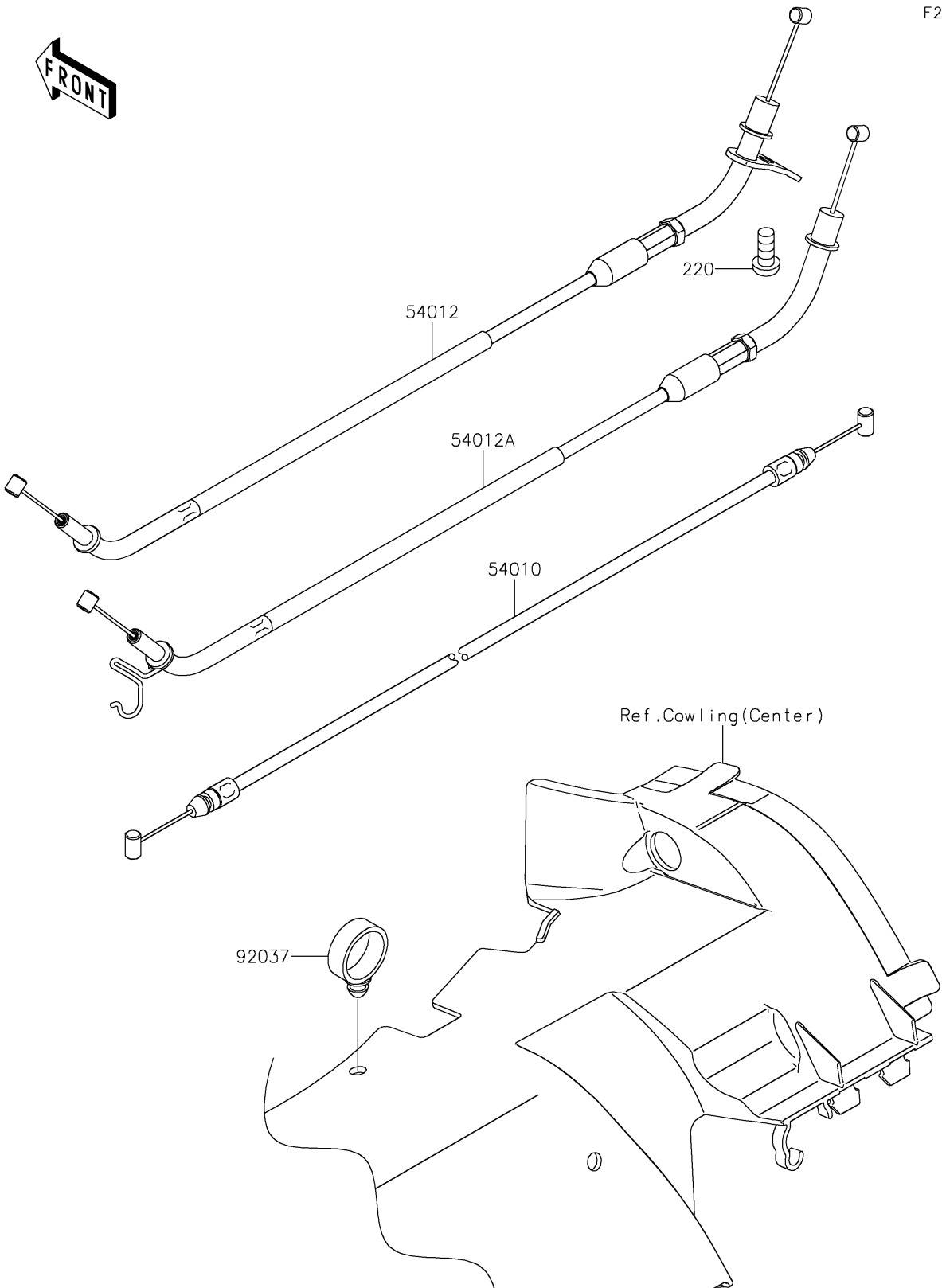


2015 CONCOURS®14 ABS PARTS DIAGRAM

Cables

F2540



2015 CONCOURS®14 ABS PARTS LIST

Cables

ITEM NAME	PART NUMBER	QUANTITY
-----------	-------------	----------