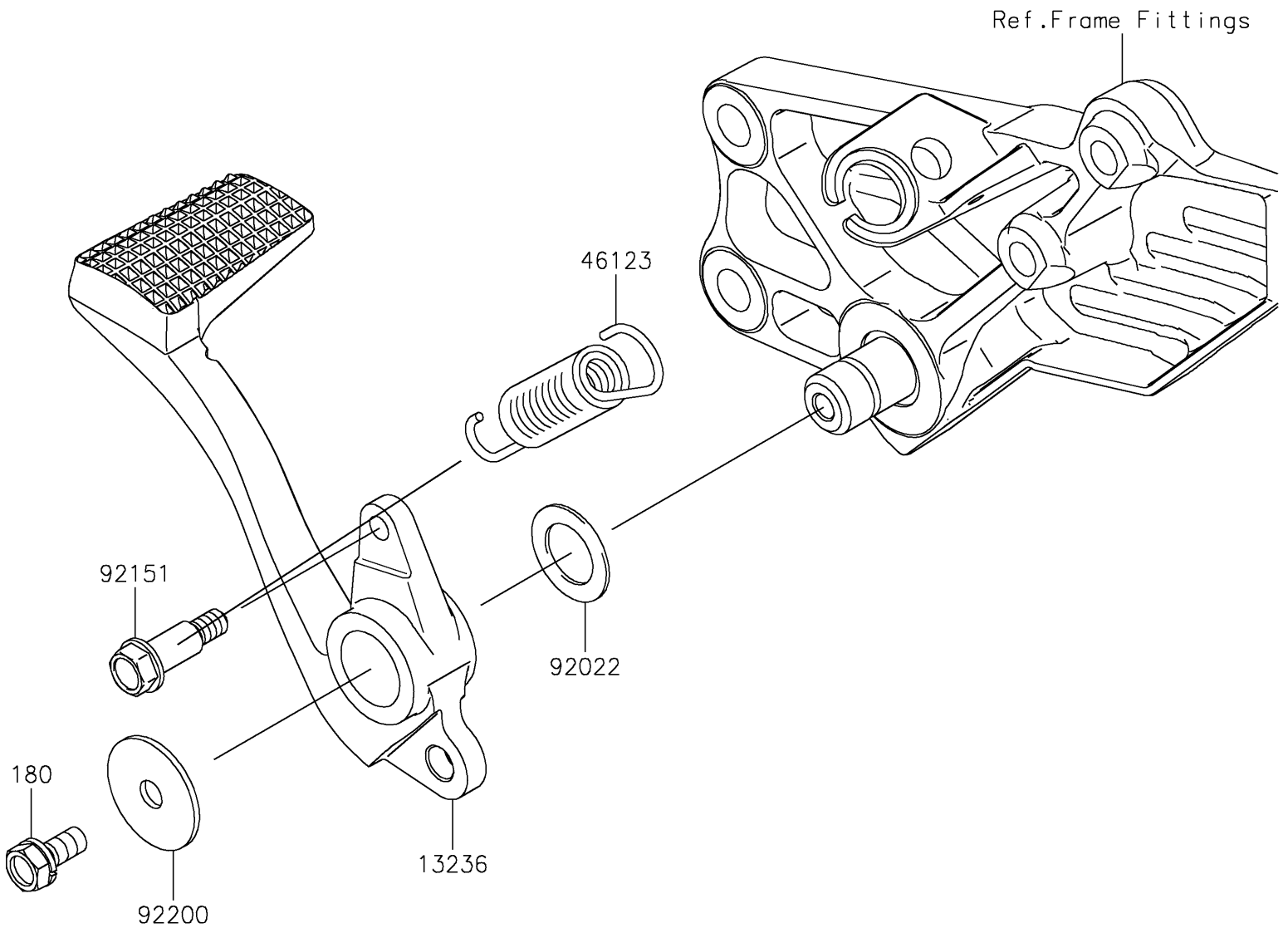


# 2015 CONCOURS®14 ABS PARTS DIAGRAM

Brake Pedal/Torque Link

F2260



# 2015 CONCOURS®14 ABS PARTS LIST

Brake Pedal/Torque Link

ITEM NAME	PART NUMBER	QUANTITY
-----------	-------------	----------