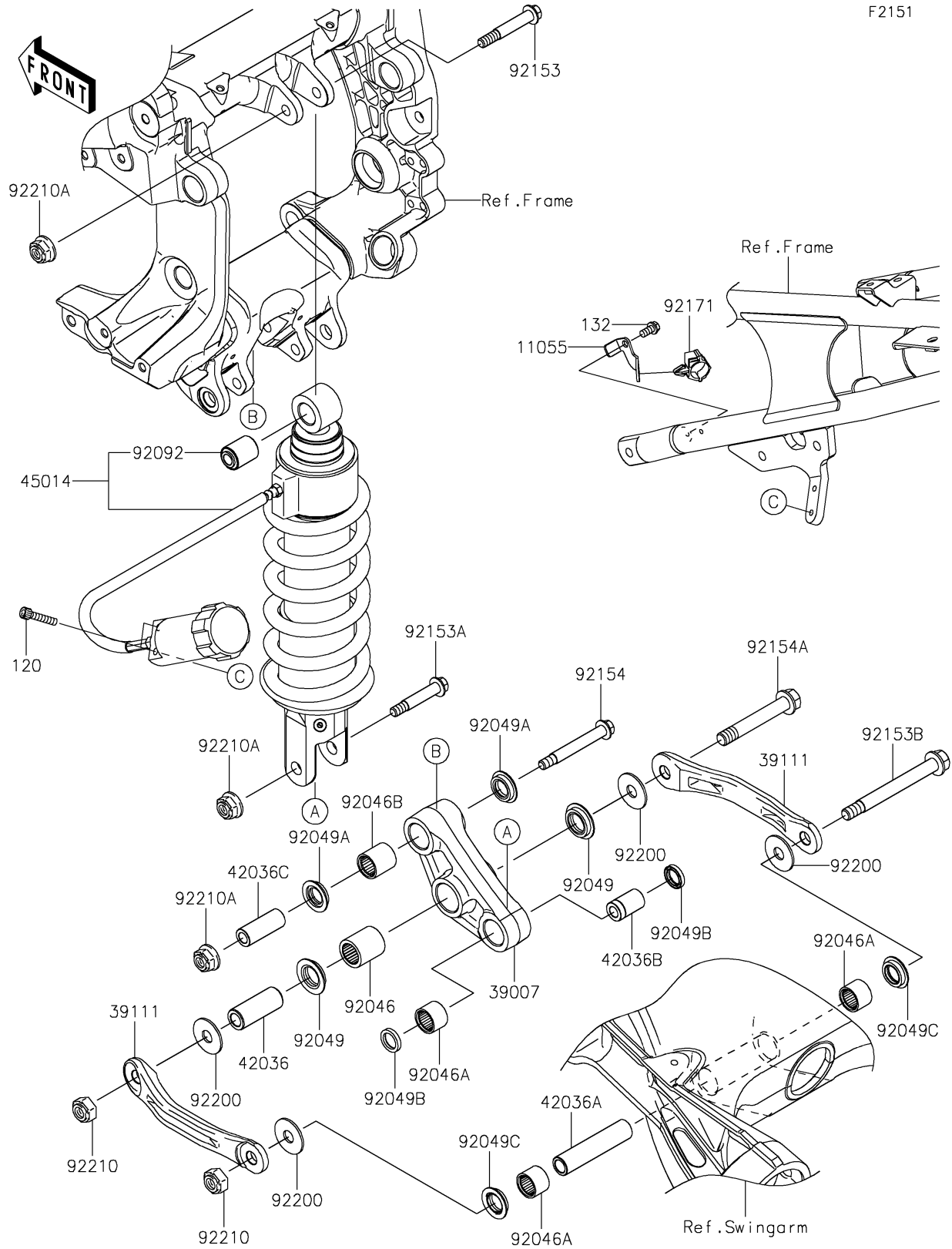


# 2015 CONCOURS®14 ABS PARTS DIAGRAM

Suspension/Shock Absorber



F2151

# 2015 CONCOURS®14 ABS PARTS LIST

Suspension/Shock Absorber

ITEM NAME	PART NUMBER	QUANTITY
-----------	-------------	----------