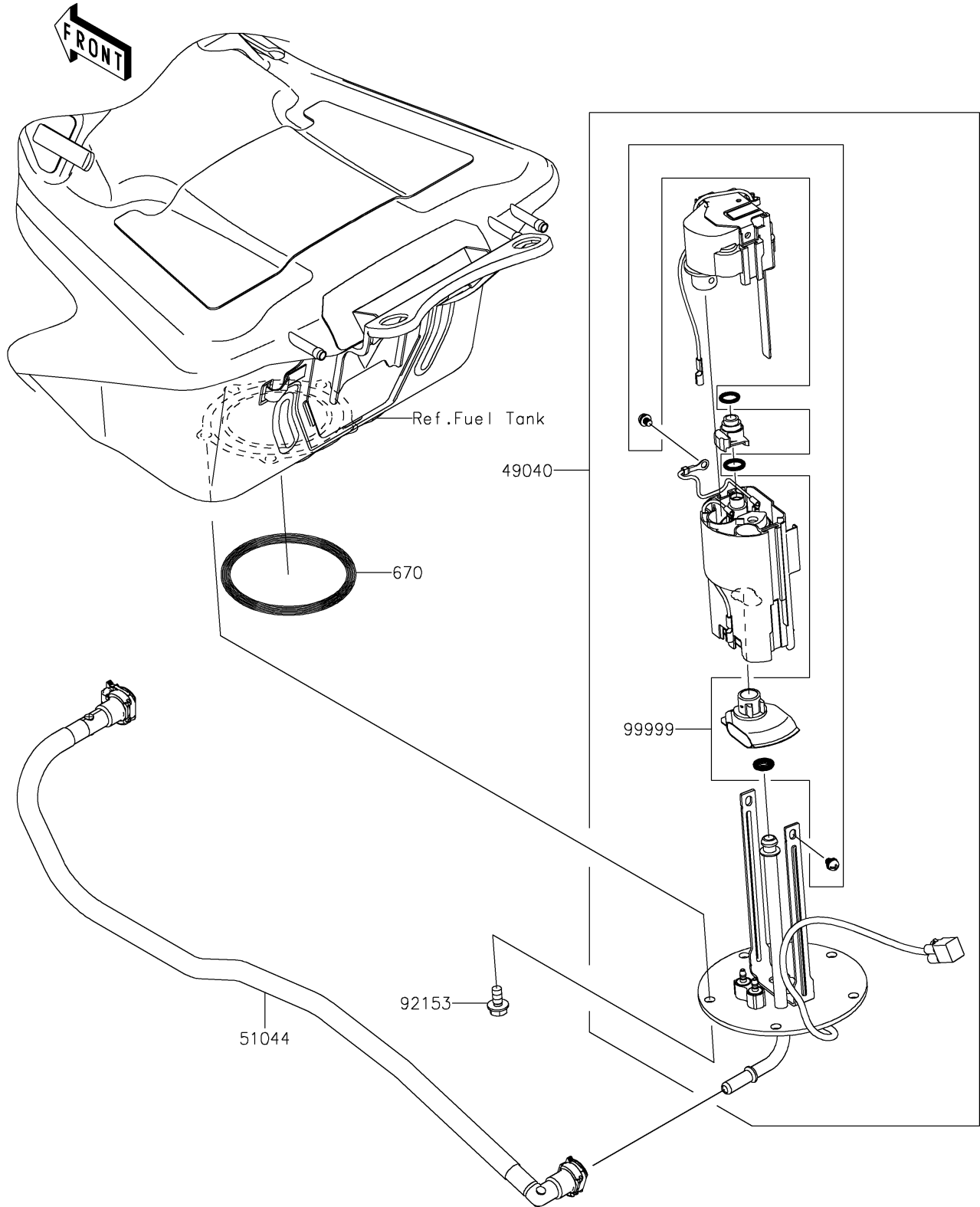


# 2015 CONCOURS®14 ABS PARTS DIAGRAM

Fuel Pump

E1520



# 2015 CONCOURS®14 ABS PARTS LIST

Fuel Pump

ITEM NAME	PART NUMBER	QUANTITY
-----------	-------------	----------