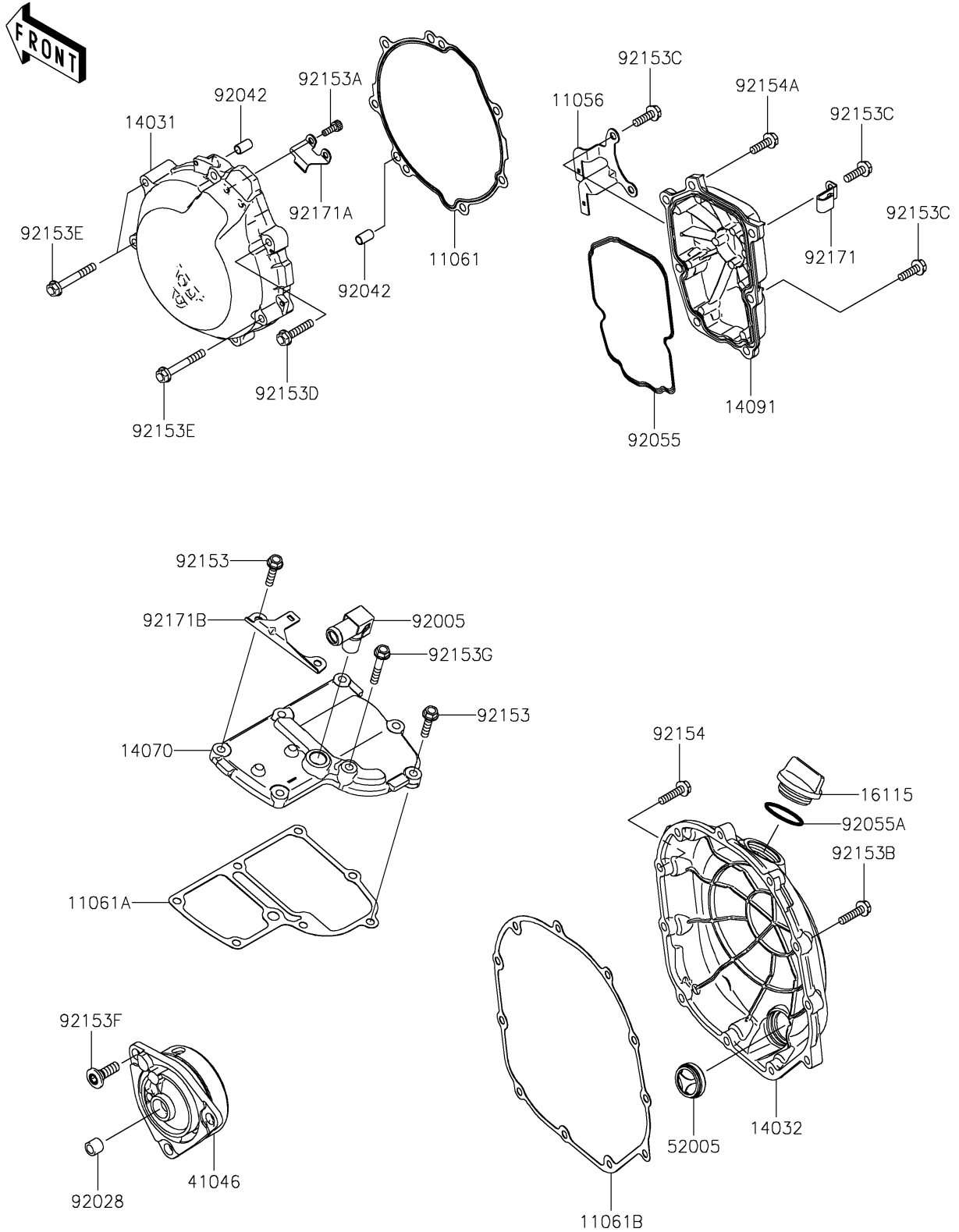


2015 CONCOURS®14 ABS PARTS DIAGRAM

Engine Cover(s)

E1431



2015 CONCOURS®14 ABS PARTS LIST

Engine Cover(s)

| ITEM NAME | PART NUMBER | QUANTITY |
|-----------|-------------|----------|
|-----------|-------------|----------|