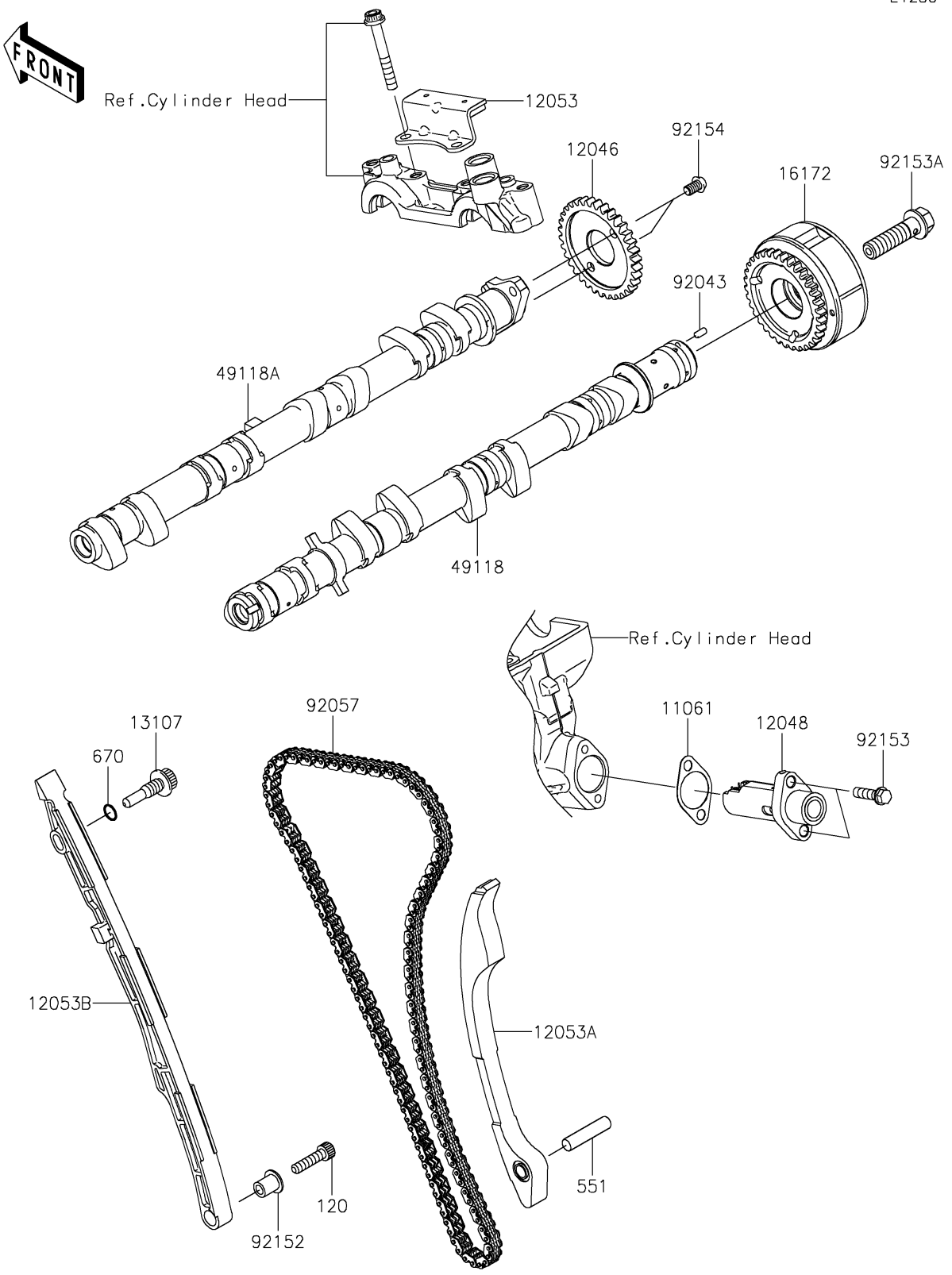


2015 CONCOURS®14 ABS PARTS DIAGRAM

Camshaft(s)/Tensioner

E1230



2015 CONCOURS®14 ABS PARTS LIST

Camshaft(s)/Tensioner

ITEM NAME	PART NUMBER	QUANTITY
-----------	-------------	----------