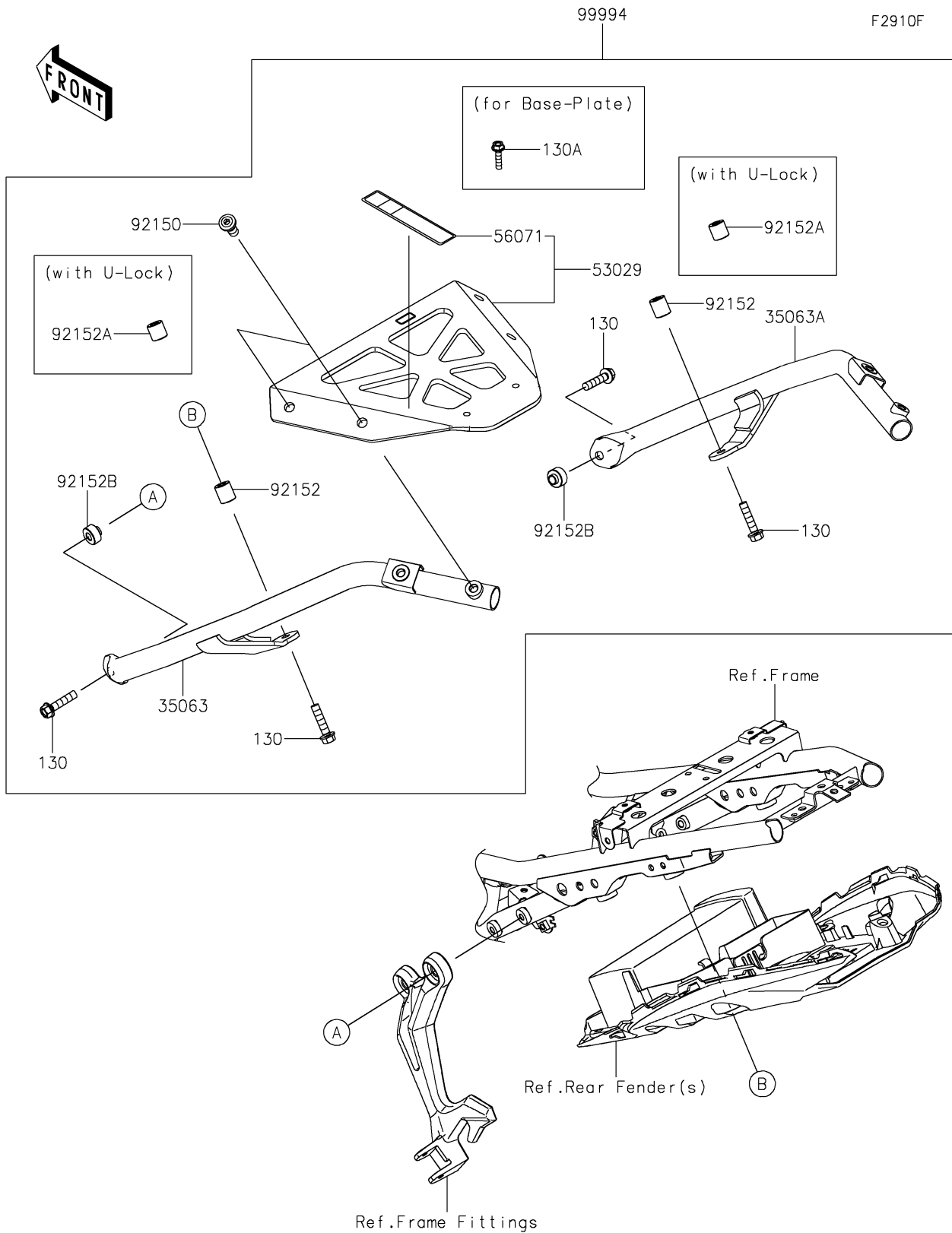


2018 NINJA® 650

PARTS DIAGRAM

Accessory(Topcase Bracket)



2018 NINJA® 650

PARTS LIST

Accessory(Topcase Bracket)

| ITEM NAME | PART NUMBER | QUANTITY |
|---|-------------|----------|
| BOLT-FLANGED,8X35 (Ref # 130) | 130CA0835 | 4 |
| BOLT-FLANGED,6X25 (Ref # 130A) | 130CB0625 | 4 |
| STAY,LH (Ref # 35063) | 35063-1353 | 1 |
| STAY,RH (Ref # 35063A) | 35063-1354 | 1 |
| CARRIER (Ref # 53029) | 53029-0353 | 1 |
| LABEL-WARNING,CARRIER LOADING (Ref # 56071) | 56071-0554 | 1 |
| BOLT,SOCKET,10X25 (Ref # 92150) | 92150-1747 | 4 |
| COLLAR,8.5X17X19 (Ref # 92152) | 92152-2234 | 2 |
| COLLAR,8.5X17X16.7 (Ref # 92152A) | 92152-2235 | 2 |
| COLLAR,8.5X20X13.3 (Ref # 92152B) | 92152-2285 | 2 |
| KIT-ACCESSORY,TOPCASE BRACKET (Ref # 99994) | 99994-0799 | 1 |