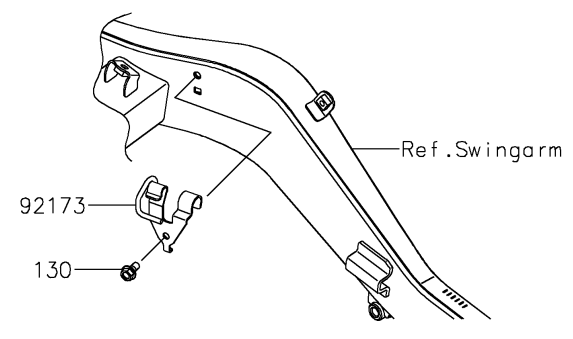
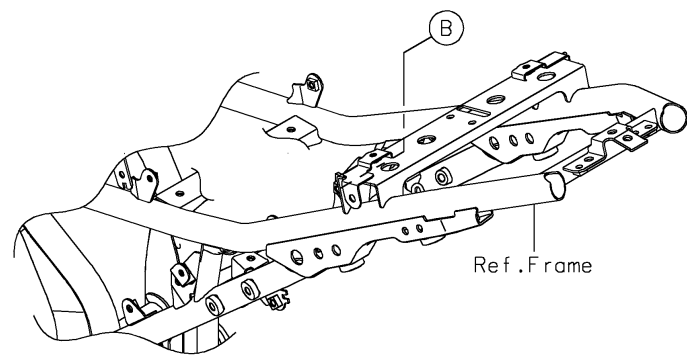
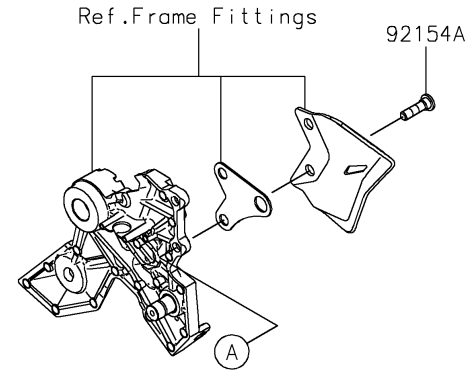
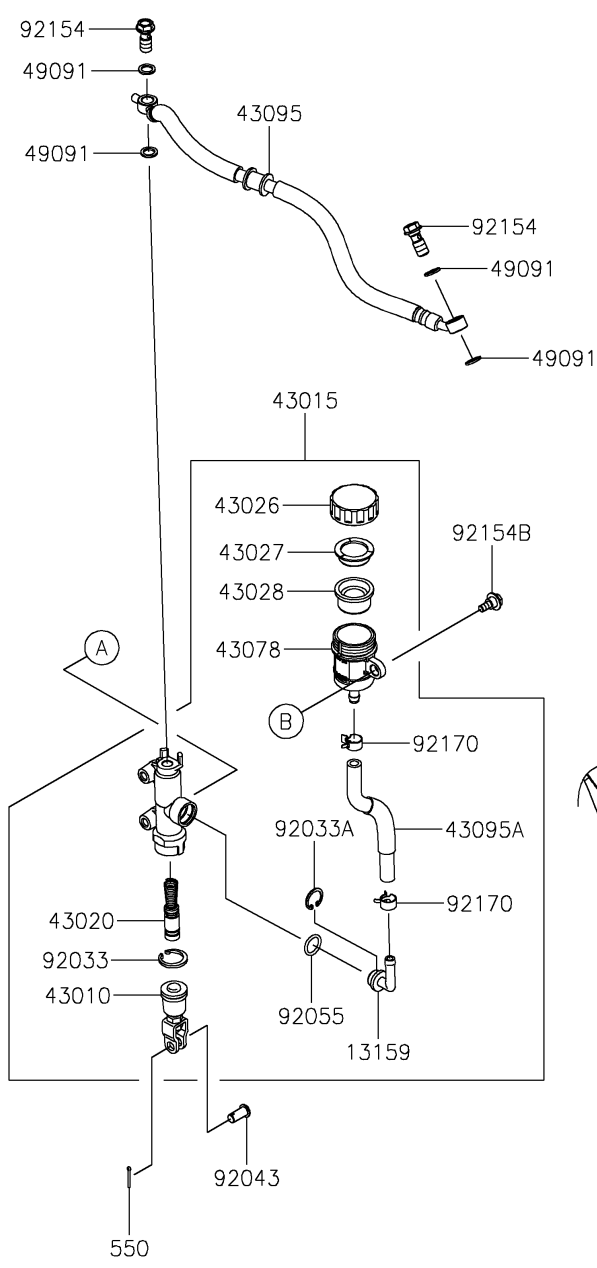


# 2019 NINJA® 650 PARTS DIAGRAM

## Rear Master Cylinder

F2293



## 2019 NINJA® 650 PARTS LIST

### Rear Master Cylinder

ITEM NAME	PART NUMBER	QUANTITY
BOLT-FLANGED,6X12 (Ref # 130)	130BA0612	1
CONNECTOR (Ref # 13159)	13159-1056	1
ROD-ASSY-BRAKE (Ref # 43010)	43010-1062	1
CYLINDER-ASSY-MASTER (Ref # 43015)	43015-0646	1
PISTON-COMP-BRAKE (Ref # 43020)	43020-1094	1
CAP-BRAKE (Ref # 43026)	43026-0009	1
PLATE-DIAPHRAGM (Ref # 43027)	43027-1053	1
DIAPHRAGM (Ref # 43028)	43028-1065	1
RESERVOIR (Ref # 43078)	43078-0060	1
HOSE-BRAKE,RR,436MM (Ref # 43095)	43095-0965	1
HOSE-BRAKE,RR M/CYL. (Ref # 43095A)	43095-0969	1
WASHER-SEAL,10.1X14.5X1.5 (Ref # 49091)	49091-0001	4
PIN-COTTER,2.0X15 (Ref # 550)	550AA2015	1
RING-SNAP,20.9X24.6X1.2 (Ref # 92033)	92033-0079	1
RING-SNAP,20.5MM (Ref # 92033A)	92033-1186	1
PIN (Ref # 92043)	92043-0182	1
RING-O,14.8X2.4 (Ref # 92055)	92055-0741	1
BOLT,OIL,L=23 (Ref # 92154)	92154-0226	2
BOLT,SOCKET,8X30 (Ref # 92154A)	92154-0843	2
BOLT (Ref # 92154B)	92154-0929	1
CLAMP,HOSE (Ref # 92170)	92170-1091	2
CLAMP,SWING ARM (Ref # 92173)	92173-1665	1