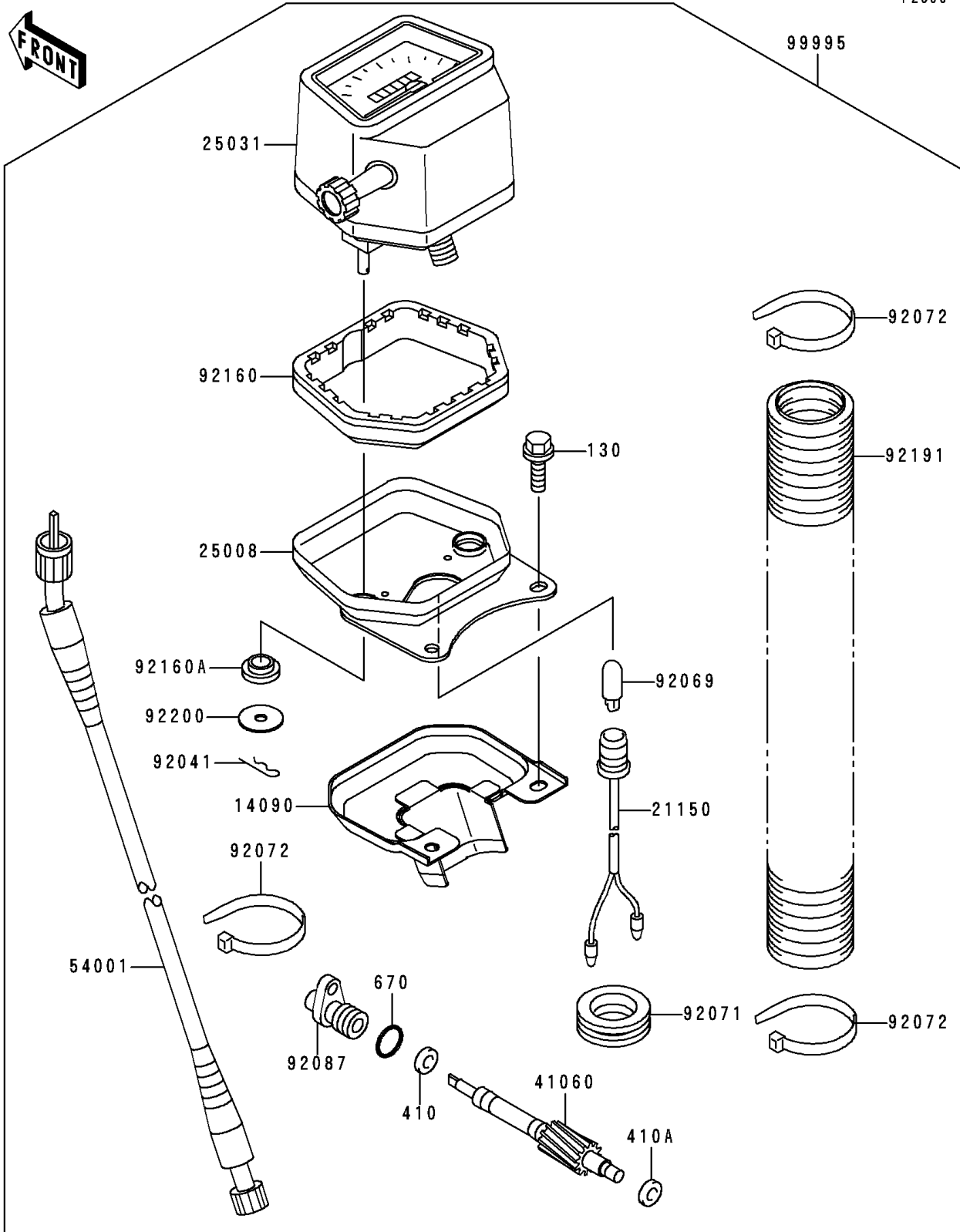


# 1998 Prairie 400 PARTS DIAGRAM

Optional Parts(Meter)

F2890



# 1998 Prairie 400 PARTS LIST

Optional Parts(Meter)

ITEM NAME	PART NUMBER	QUANTITY
BOLT-FLANGED (Ref # 130)	130J0612	2
WASHER-PLAIN-SMALL,5MM (Ref # 410)	410B0500	1
WASHER-PLAIN-SMALL,6MM (Ref # 410A)	410B0600	1
O RING,12MM (Ref # 670)	670B2012	1
COVER (Ref # 14090)	14090-1797	1
CORD-ASSY,SPEEDOMETER (Ref # 21150)	21150-1058	1
BRACKET-METER (Ref # 25008)	25008-1217	1
METER-ASSY,MPH (Ref # 25031)	25031-1048	1
GEAR-METER SCREW (Ref # 41060)	41060-1157	1
CABLE-SPEEDMETER (Ref # 54001)	54001-1218	1
COTTER (Ref # 92041)	92041-006	2
BULB,12V 3.4W (Ref # 92069)	92069-1007	1
GROMMET,AIR FILTER (Ref # 92071)	92071-1042	1
BAND,L=185 (Ref # 92072)	92072-1195	3
BUSHING-METER GEAR (Ref # 92087)	92087-1057	1
DAMPER,SPEEDOMETER (Ref # 92160)	92160-1783	1
DAMPER (Ref # 92160A)	92160-1784	2
TUBE (Ref # 92191)	92191-1135	1
WASHER,5.2X20X1 (Ref # 92200)	92200-1332	2
KIT.,SPEEDOMETER,MPH (Ref # 99995)	99995-1391	1