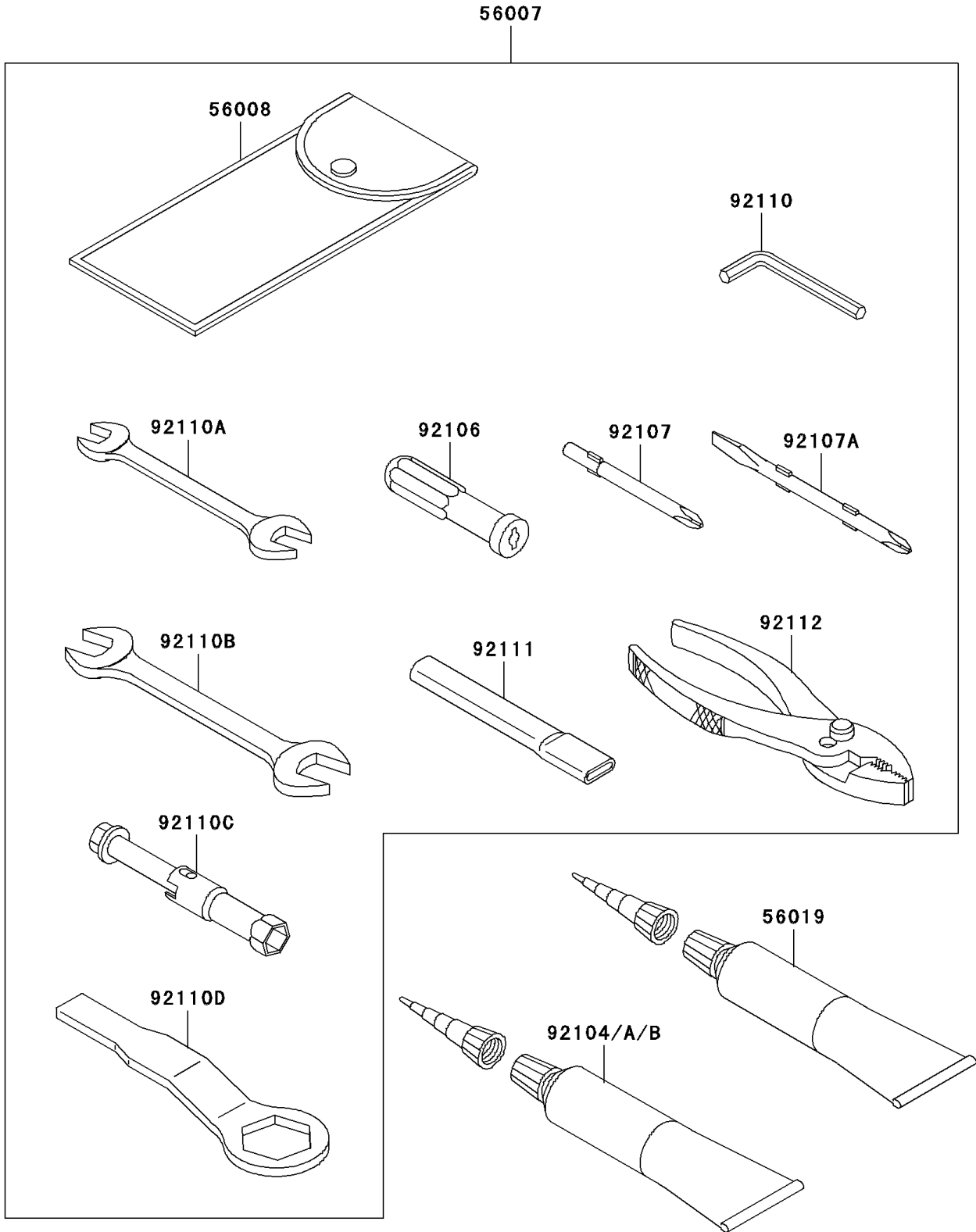


2008 Z1000 PARTS DIAGRAM

Owner's Tools

F2810



2008 Z1000 PARTS LIST

Owner's Tools

ITEM NAME	PART NUMBER	QUANTITY
TOOL-KIT (Ref # 56007)	56007-0037	1
BAG,TOOL (Ref # 56008)	56008-1075	1
THREE BOND TB1211,HT/RS,WHITE (Ref # 56019)	56019-120	1
GASKET-LIQUID,TB1211F (Ref # 92104)	92104-0004	1
GASKET-LIQUID,BLACK,TB1105 (Ref # 92104A)	92104-1003	1
GASKET-LIQUID,BLACK TB1215B (Ref # 92104B)	92104-1062	1
GRIP-SCREW DRIVER (Ref # 92106)	92106-1001	1
TOOL-DRIVER,#3PHILLIPS (Ref # 92107)	92107-005	1
TOOL-DRIVER,#2PHILLIPS&SLOT (Ref # 92107A)	92107-1051	1
TOOL-WRENCH,ALLEN,5MM (Ref # 92110)	92110-0001	1
TOOL-WRENCH,OPEN END,12X14 (Ref # 92110A)	92110-0019	1
TOOL-WRENCH,OPEN END,17X19 (Ref # 92110B)	92110-0020	1
TOOL-WRENCH,BOX,16MM (Ref # 92110C)	92110-1132	1
TOOL-WRENCH,BOX END,32MM (Ref # 92110D)	92110-1161	1
TOOL-BAR,BOX END WRENCH (Ref # 92111)	92111-1051	1
TOOL-PLIERS (Ref # 92112)	92112-1001	1