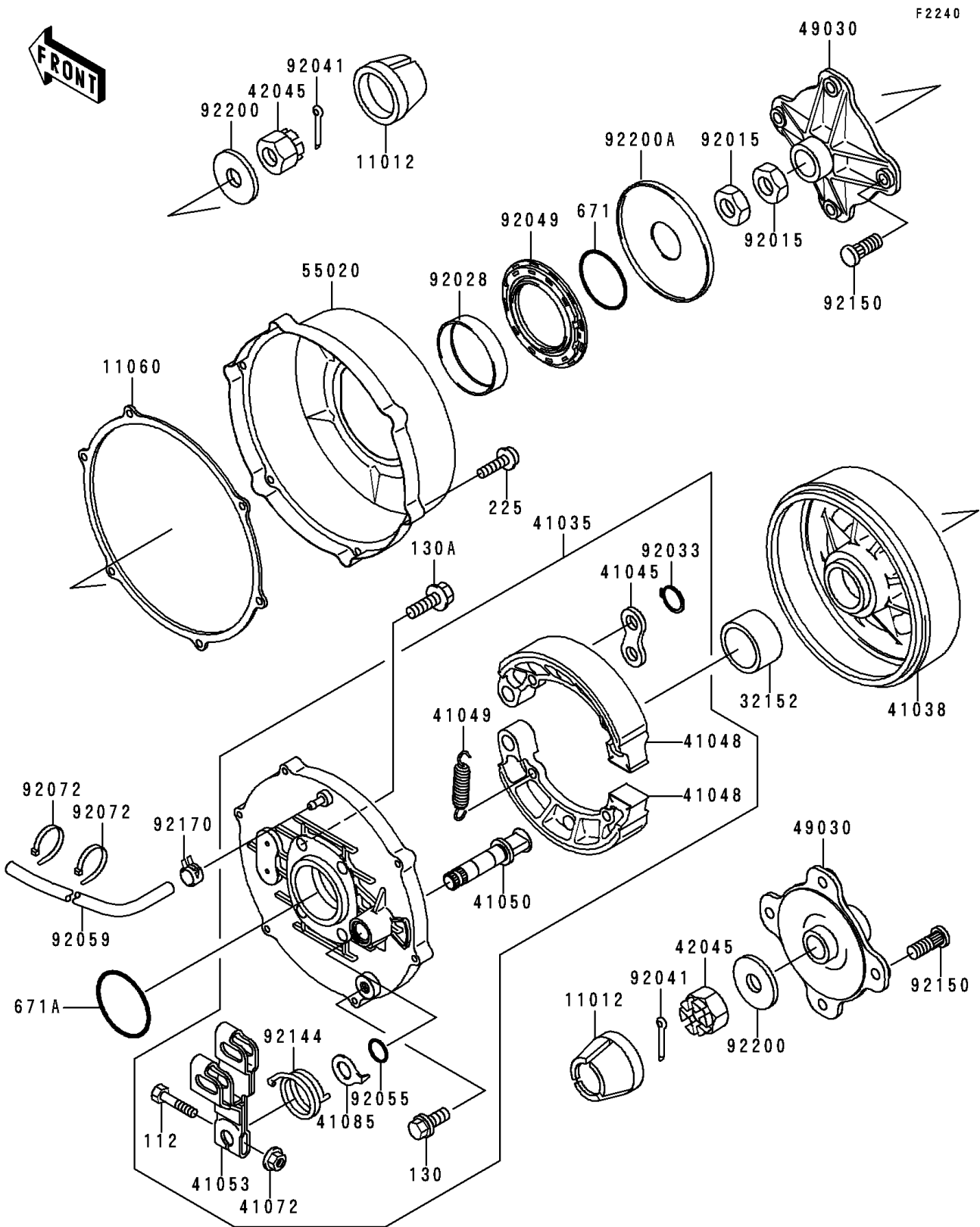


1998 Prairie 400 PARTS DIAGRAM

Rear Hub



1998 Prairie 400 PARTS LIST

Rear Hub

ITEM NAME	PART NUMBER	QUANTITY
BOLT-UPSET (Ref # 112)	112H0640	1
BOLT-FLANGED,10X12 (Ref # 130)	130B1012	1
BOLT-FLANGED,10X30 (Ref # 130A)	130G1030	4
SCREW-PAN-WSP-CROS (Ref # 225)	225C0616	6
O RING (Ref # 671)	671B2550	1
O RING,70MM (Ref # 671A)	671B2570	1
CAP,WHEEL (Ref # 11012)	11012-1969	2
GASKET (Ref # 11060)	11060-1731	1
PIPE,40X50.8X28 (Ref # 32152)	32152-1082	1
PANEL-ASSY-BRAKE,RR (Ref # 41035)	41035-1496	1
DRUM,REAR BRAKE (Ref # 41038)	41038-1280	1
WASHER (Ref # 41045)	41045-006	1
SHOE-BRAKE (Ref # 41048)	41048-1127	2
SPRING,BRAKE SHOE (Ref # 41049)	41049-012	2
CAM-BRAKE (Ref # 41050)	41050-1089	1
LEVER-BRAKE CAM (Ref # 41053)	41053-1084	1
NUT,6MM (Ref # 41072)	41072-007	1
INDICATOR (Ref # 41085)	41085-1086	1
NUT,CASTLE,18MM (Ref # 42045)	42045-018	2
HUB,RR,LH (Ref # 49030)	49030-1120	2
GUARD,REAR BRAKE DRUM (Ref # 55020)	55020-1625	1
NUT,LOCK,37MM (Ref # 92015)	92015-1545	2
BUSHING (Ref # 92028)	92028-1824	1
RING-SNAP,15MM (Ref # 92033)	92033-1250	2
COTTER,4.0X35 (Ref # 92041)	92041-1053	2
SEAL-OIL (Ref # 92049)	92049-1472	1
RING-O,ID=16.4 (Ref # 92055)	92055-1376	1
TUBE,4.7X9.5X1240 (Ref # 92059)	92059-1968	1
BAND,L=123 (Ref # 92072)	92072-030	2

1998 Prairie 400 PARTS LIST

Rear Hub

ITEM NAME	PART NUMBER	QUANTITY
SPRING (Ref # 92144)	92144-1365	1
BOLT (Ref # 92150)	92150-1289	8
CLAMP (Ref # 92170)	92170-2042	1
WASHER,18.5X52X4.5 (Ref # 92200)	92200-1139	2
WASHER (Ref # 92200A)	92200-1372	1