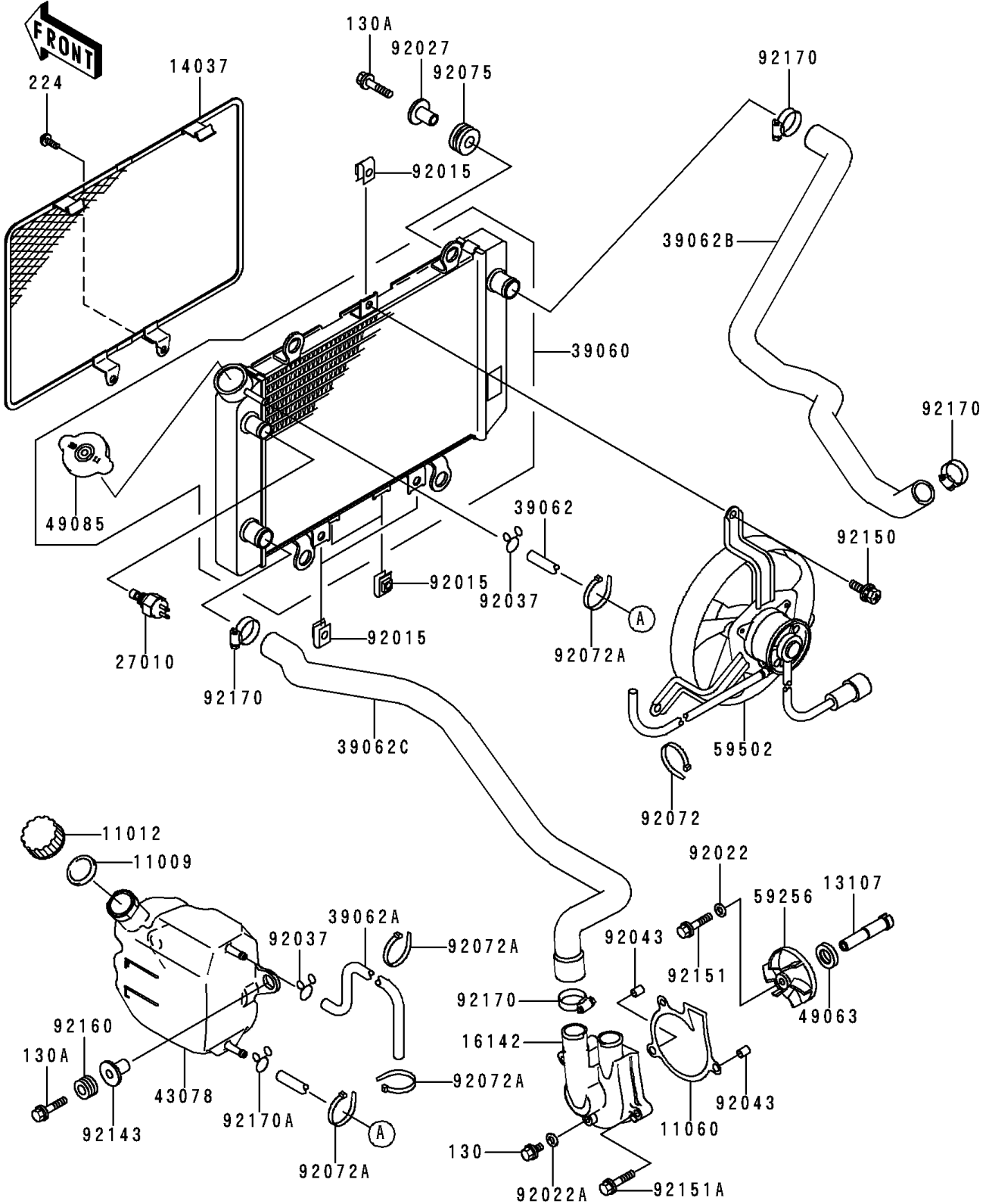


# 1998 Prairie 400 PARTS DIAGRAM

Radiator(-VF400AE520627)

E3032



# 1998 Prairie 400 PARTS LIST

Radiator(-VF400AE520627)

ITEM NAME	PART NUMBER	QUANTITY
BOLT-FLANGED (Ref # 130)	130J0610	1
BOLT-FLANGED,6X25 (Ref # 130A)	130J0625	6
SCREW-PAN-WP-CROS (Ref # 224)	224C0612	2
GASKET,RESERVOIR TANK CAP (Ref # 11009)	11009-1145	1
CAP (Ref # 11012)	11012-1084	1
GASKET,WATER PUMP COVER (Ref # 11060)	11060-1730	1
SHAFT (Ref # 13107)	13107-1349	1
SCREEN (Ref # 14037)	14037-1221	1
COVER-PUMP (Ref # 16142)	16142-1137	1
SWITCH,FAN (Ref # 27010)	27010-1202	1
RADIATOR (Ref # 39060)	39060-1150	1
HOSE-COOLING,5.5X10.5X1500 (Ref # 39062)	39062-1675	1
HOSE-COOLING,5.5X10.5X700 (Ref # 39062A)	39062-1676	1
HOSE-COOLING,HEAD- RADIATOR (Ref # 39062B)	39062-1701	1
HOSE-COOLING,RADIATOR-PUMP (Ref # 39062C)	39062-1702	1
RESERVOIR (Ref # 43078)	43078-1154	1
SEAL-MECHANICAL,WATER PUMP (Ref # 49063)	49063-1002	1
CAP-ASSY-PRESSURE (Ref # 49085)	49085-1066	1
IMPELLER (Ref # 59256)	59256-1073	1
FAN-ASSY (Ref # 59502)	59502-1123	1
NUT (Ref # 92015)	92015-1487	5
WASHER,6.1X12X1 (Ref # 92022)	92022-077	1
WASHER,6.2X11X1 (Ref # 92022A)	92022-304	1
COLLAR,L=13.1 (Ref # 92027)	92027-251	4
CLAMP,TUBE (Ref # 92037)	92037-147	2
PIN,DOWEL,8X10 (Ref # 92043)	92043-1302	2
BAND,L=123 (Ref # 92072)	92072-030	1
BAND,L=186 (Ref # 92072A)	92072-056	4
DAMPER (Ref # 92075)	92075-209	4

## 1998 Prairie 400 PARTS LIST

Radiator(-VF400AE520627)

<b>ITEM NAME</b>	<b>PART NUMBER</b>	<b>QUANTITY</b>
COLLAR (Ref # 92143)	92143-1353	2
BOLT,6X12 (Ref # 92150)	92150-1186	3
BOLT,6X22 (Ref # 92151)	92151-1074	1
BOLT,6X30 (Ref # 92151A)	92151-1139	1
DAMPER (Ref # 92160)	92160-1167	2
CLAMP (Ref # 92170)	92170-1497	4
CLAMP (Ref # 92170A)	92170-2042	1