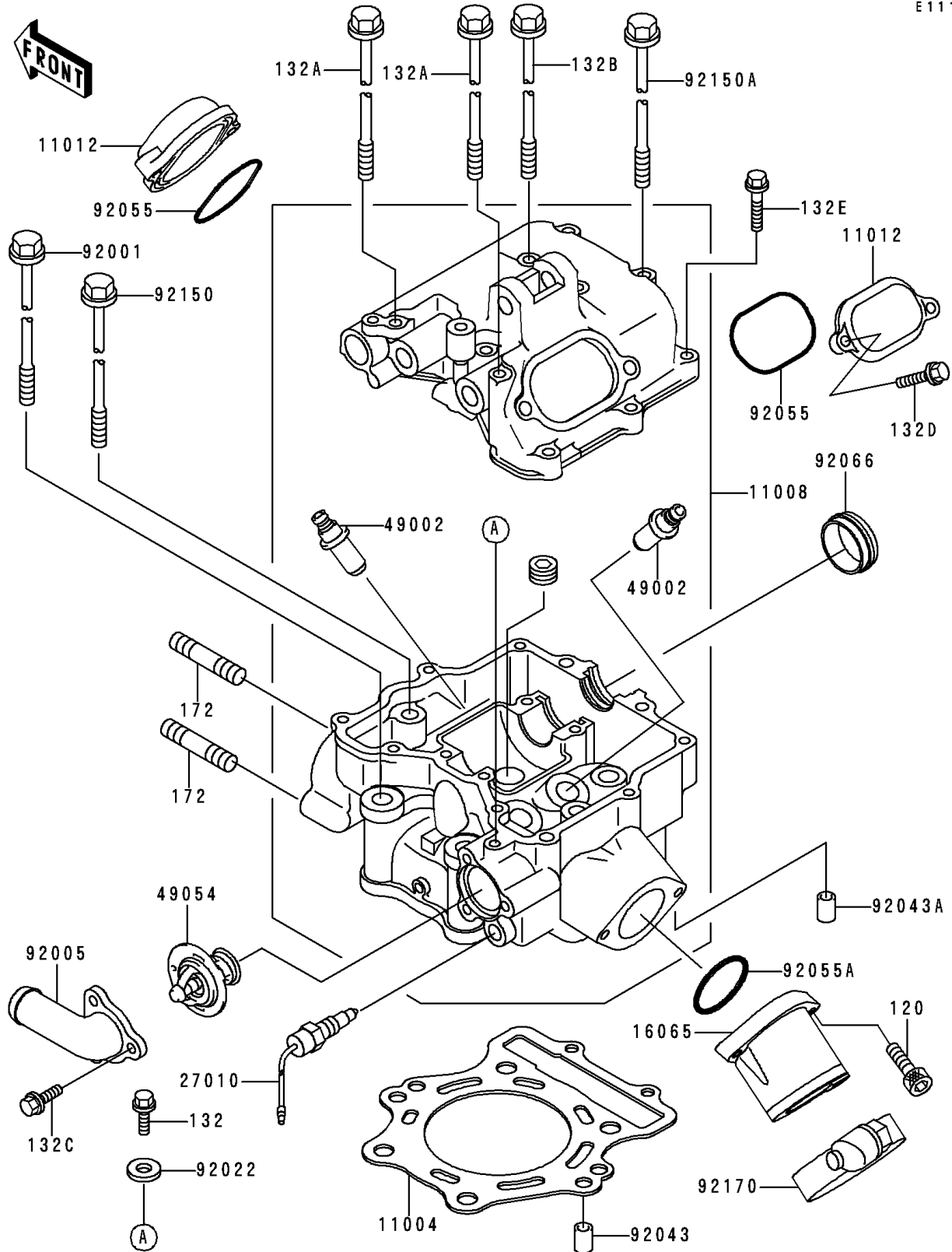


1998 Prairie 400 PARTS DIAGRAM

Cylinder Head(-VF400AE520627)

E1111



1998 Prairie 400 PARTS LIST

Cylinder Head(-VF400AE520627)

ITEM NAME	PART NUMBER	QUANTITY
BOLT-SOCKET,6X20 (Ref # 120)	120S0620	2
BOLT-FLANGED-SMALL (Ref # 132)	132G0610	1
BOLT-FLANGED-SMALL (Ref # 132A)	132G0655	4
BOLT-FLANGED-SMALL (Ref # 132B)	132G0665	2
BOLT-FLANGED-SMALL (Ref # 132C)	132J0612	3
BOLT-FLANGED-SMALL (Ref # 132D)	132V0620	4
BOLT-FLANGED-SMALL (Ref # 132E)	132V0630	6
BOLT-STUD,8X22 (Ref # 172)	172G0822	4
GASKET-HEAD (Ref # 11004)	11004-1233	1
HEAD-COMP-CYLINDER (Ref # 11008)	11008-5006	1
CAP,ROCKER CASE (Ref # 11012)	11012-1793	2
HOLDER-CARBURETOR (Ref # 16065)	16065-1337	1
SWITCH,SENSOR WATER (Ref # 27010)	27010-1346	1
GUIDE-VALVE (Ref # 49002)	49002-1052	AR
THERMOSTAT (Ref # 49054)	49054-1053	1
BOLT,FLANGED,10X185 (Ref # 92001)	92001-1994	4
FITTING (Ref # 92005)	92005-1121	1
WASHER,6.2X11X1 (Ref # 92022)	92022-304	1
PIN,6.2X8X14 (Ref # 92043)	92043-1263	2
PIN,DOWEL,8X10 (Ref # 92043A)	92043-1302	2
RING-O,55MM (Ref # 92055)	92055-1120	2
RING-O,39.5X2.4 (Ref # 92055A)	92055-1342	1
PLUG (Ref # 92066)	92066-1289	1
BOLT,8X83 (Ref # 92150)	92150-1531	2
BOLT,6X135 (Ref # 92150A)	92150-1552	2
CLAMP (Ref # 92170)	92170-1677	1