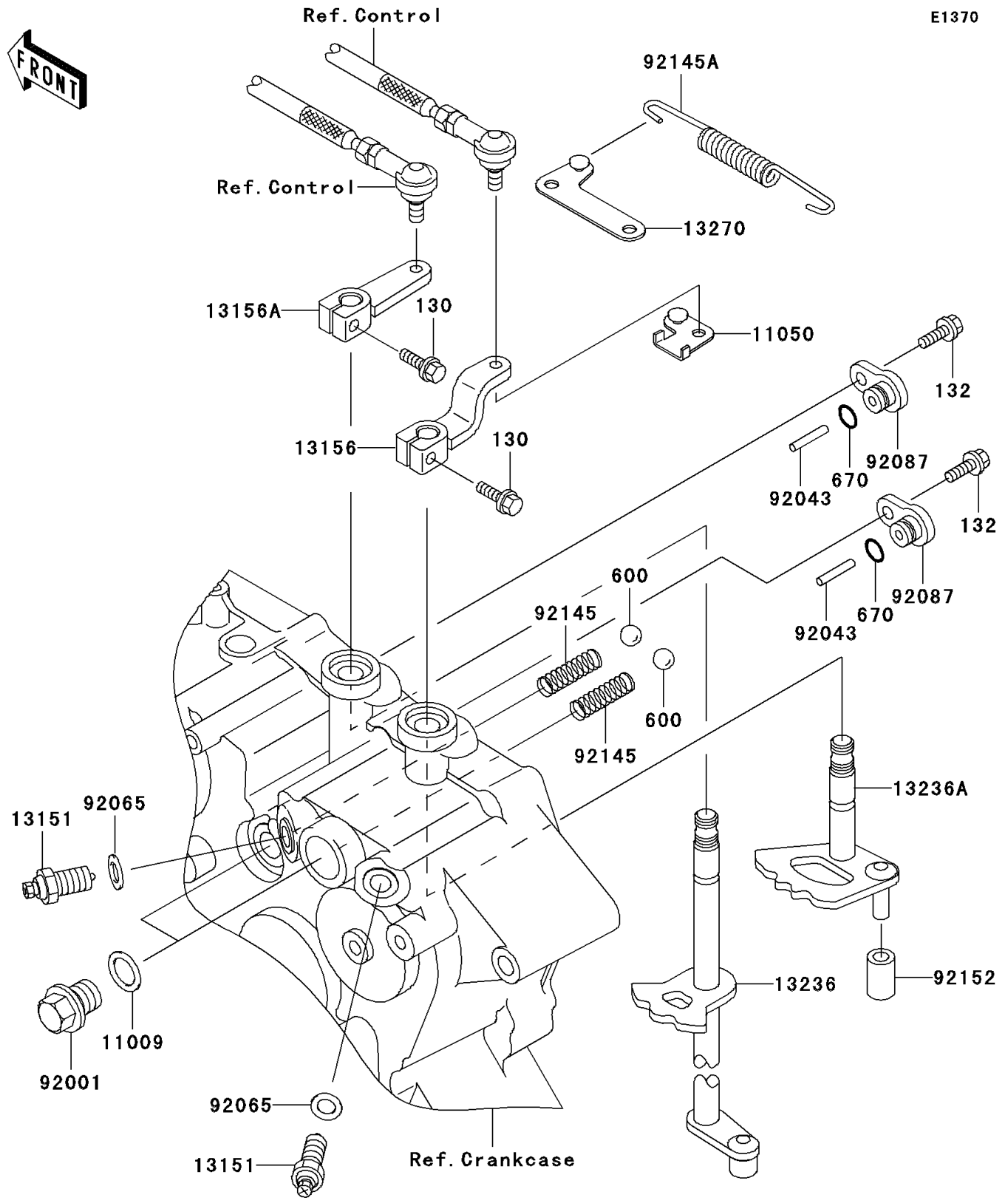


1997 Prairie 400 4X4 PARTS DIAGRAM

Gear Change Mechanism

E1370



1997 Prairie 400 4X4 PARTS LIST

Gear Change Mechanism

| ITEM NAME | PART NUMBER | QUANTITY |
|--|-------------|----------|
| BOLT-FLANGED,6X20 (Ref # 130) | 130P0620 | 2 |
| BOLT-FLANGED-SMALL (Ref # 132) | 132J0614 | 2 |
| BALL-STEEL,13/32" (Ref # 600) | 600A1300 | 2 |
| O RING,10MM (Ref # 670) | 670D1510 | 2 |
| GASKET,15.5X22X1 (Ref # 11009) | 11009-1008 | 2 |
| BRACKET (Ref # 11050) | 11050-1386 | 1 |
| SWITCH-COMP,NEUTRAL (Ref # 13151) | 13151-1069 | 2 |
| LEVER-CHANGE,FORWARD/REVERSE (Ref # 13156) | 13156-1394 | 1 |
| LEVER-CHANGE,HI/LOW (Ref # 13156A) | 13156-1395 | 1 |
| LEVER-COMP,HI/LOW (Ref # 13236) | 13236-1292 | 1 |
| LEVER-COMP,FORWARD/REVERSE (Ref # 13236A) | 13236-1313 | 1 |
| PLATE (Ref # 13270) | 13270-1850 | 1 |
| BOLT,NEUTRAL POSITION (Ref # 92001) | 92001-1037 | 2 |
| PIN (Ref # 92043) | 92043-1415 | 2 |
| GASKET,10.5X16X1,DRAIN PLUG (Ref # 92065) | 92065-058 | 2 |
| BUSHING-METER GEAR (Ref # 92087) | 92087-1058 | 2 |
| SPRING (Ref # 92145) | 92145-1075 | 2 |
| SPRING (Ref # 92145A) | 92145-1079 | 1 |
| COLLAR,LEVER (Ref # 92152) | 92152-1073 | 1 |