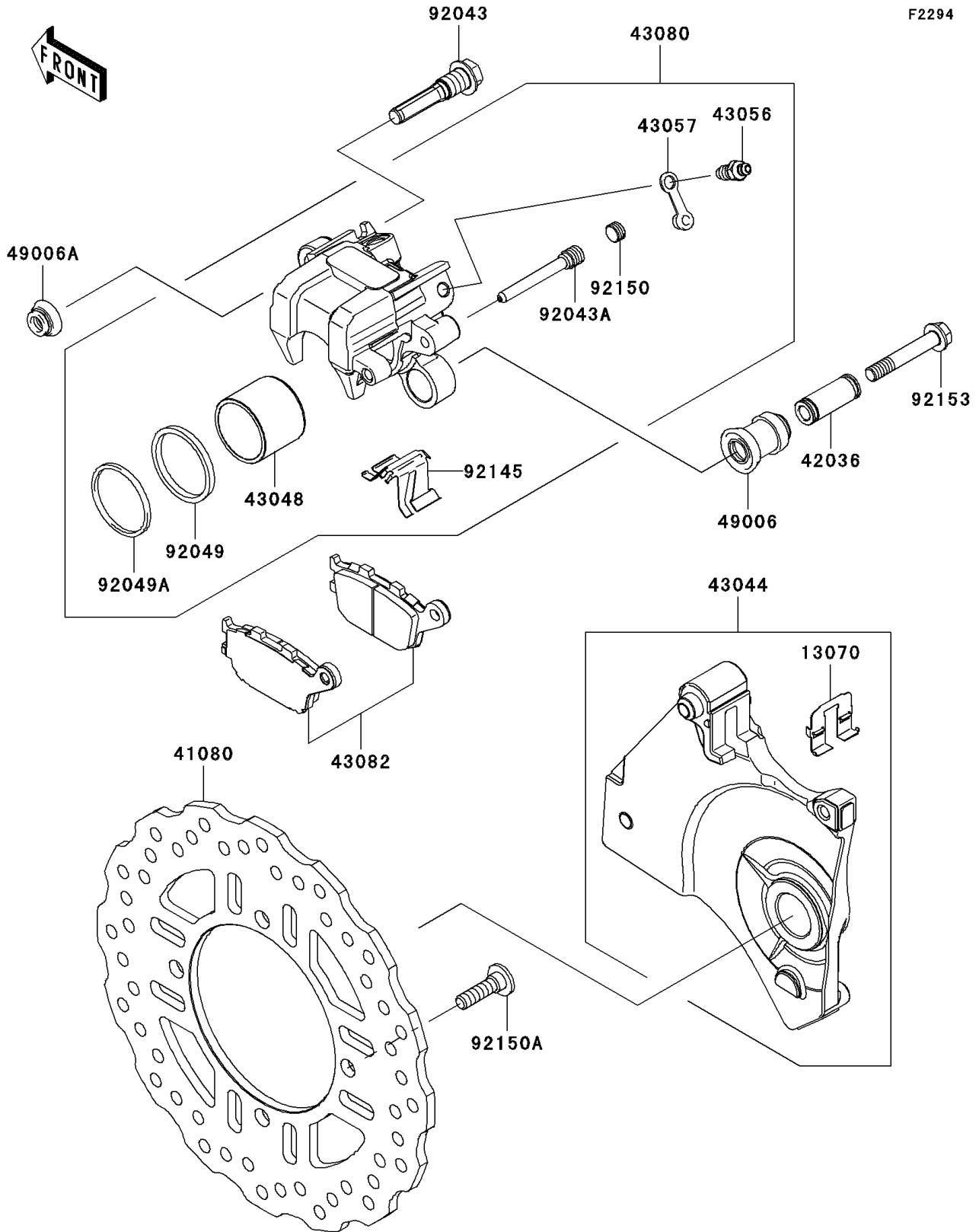


# 2008 Z1000 PARTS DIAGRAM

Rear Brake



## 2008 Z1000 PARTS LIST

### Rear Brake

| ITEM NAME                                | PART NUMBER   | QUANTITY |
|--|---------------|----------|
| GUIDE,BRAKE PAD (Ref # 13070)            | 13070-0076    | 1        |
| DISC,RR (Ref # 41080)                    | 41080-0089    | 1        |
| SLEEVE (Ref # 42036)                     | 42036-0050    | 1        |
| HOLDER-COMP-CALIPER,RR (Ref # 43044)     | 43044-0012    | 1        |
| PISTON-CALIPER (Ref # 43048)             | 43048-0008    | 1        |
| BREATHER (Ref # 43056)                   | 43056-1055    | 1        |
| CAP-BREATHER (Ref # 43057)               | 43057-1001    | 1        |
| CALIPER-SUB-ASSY,RR,SILVER (Ref # 43080) | 43080-0050-GN | 1        |
| PAD-ASSY-BRAKE (Ref # 43082)             | 43082-0073    | 1        |
| BOOT (Ref # 49006)                       | 49006-0058    | 1        |
| BOOT,CALIPER (Ref # 49006A)              | 49006-1242    | 1        |
| PIN (Ref # 92043)                        | 92043-0137    | 1        |
| PIN,HANGER (Ref # 92043A)                | 92043-1520    | 1        |
| SEAL-OIL (Ref # 92049)                   | 92049-1449    | 1        |
| SEAL-OIL (Ref # 92049A)                  | 92049-1450    | 1        |
| SPRING,PAD (Ref # 92145)                 | 92145-0493    | 1        |
| BOLT,PLUG (Ref # 92150)                  | 92150-1692    | 1        |
| BOLT,SOCKET,8X30 (Ref # 92150A)          | 92150-1771    | 4        |
| BOLT,FLANGED (Ref # 92153)               | 92153-1826    | 1        |