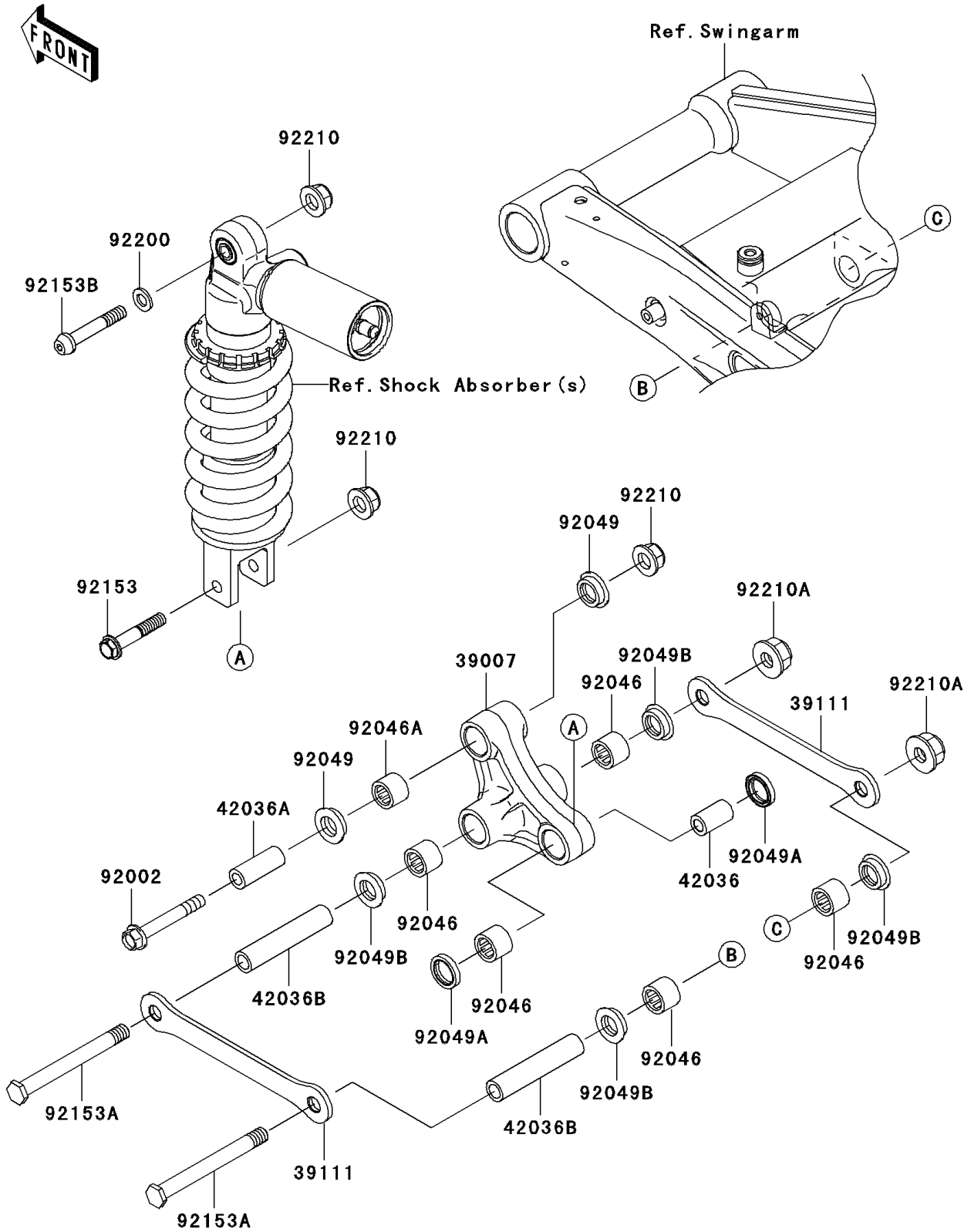


# 2008 Z1000 PARTS DIAGRAM

Rear Suspension

F2150



## 2008 Z1000 PARTS LIST

### Rear Suspension

ITEM NAME	PART NUMBER	QUANTITY
ARM-SUSP,UNI TRAK (Ref # 39007)	39007-0045	1
ROD-TIE,SUSPENSION (Ref # 39111)	39111-0049	2
SLEEVE,10.1X18X30 (Ref # 42036)	42036-1258	1
SLEEVE,10.1X17X44.5 (Ref # 42036A)	42036-1342	1
SLEEVE,12.1X18X90 (Ref # 42036B)	42036-1360	2
BOLT,10X70 (Ref # 92002)	92002-1183	1
BEARING-NEEDLE,SFYZM182417 (Ref # 92046)	92046-1272	5
BEARING-NEEDLE,SFYZM172425 (Ref # 92046A)	92046-1273	1
SEAL-OIL,MHA17245.7F (Ref # 92049)	92049-1223	2
SEAL-OIL,MHA18244 (Ref # 92049A)	92049-1225	2
SEAL-OIL,KCR MF018N1 (Ref # 92049B)	92049-1493	4
BOLT,FLANGED,10X55 (Ref # 92153)	92153-1546	1
BOLT,12X114 (Ref # 92153A)	92153-1662	2
BOLT,SOCKET,10X60 (Ref # 92153B)	92153-1837	1
WASHER,10.5X19X2.3 (Ref # 92200)	92200-1042	1
NUT,LOCK,FLANGED,10MM (Ref # 92210)	92210-0321	3
NUT,LOCK,FLANGED,12MM (Ref # 92210A)	92210-1150	2