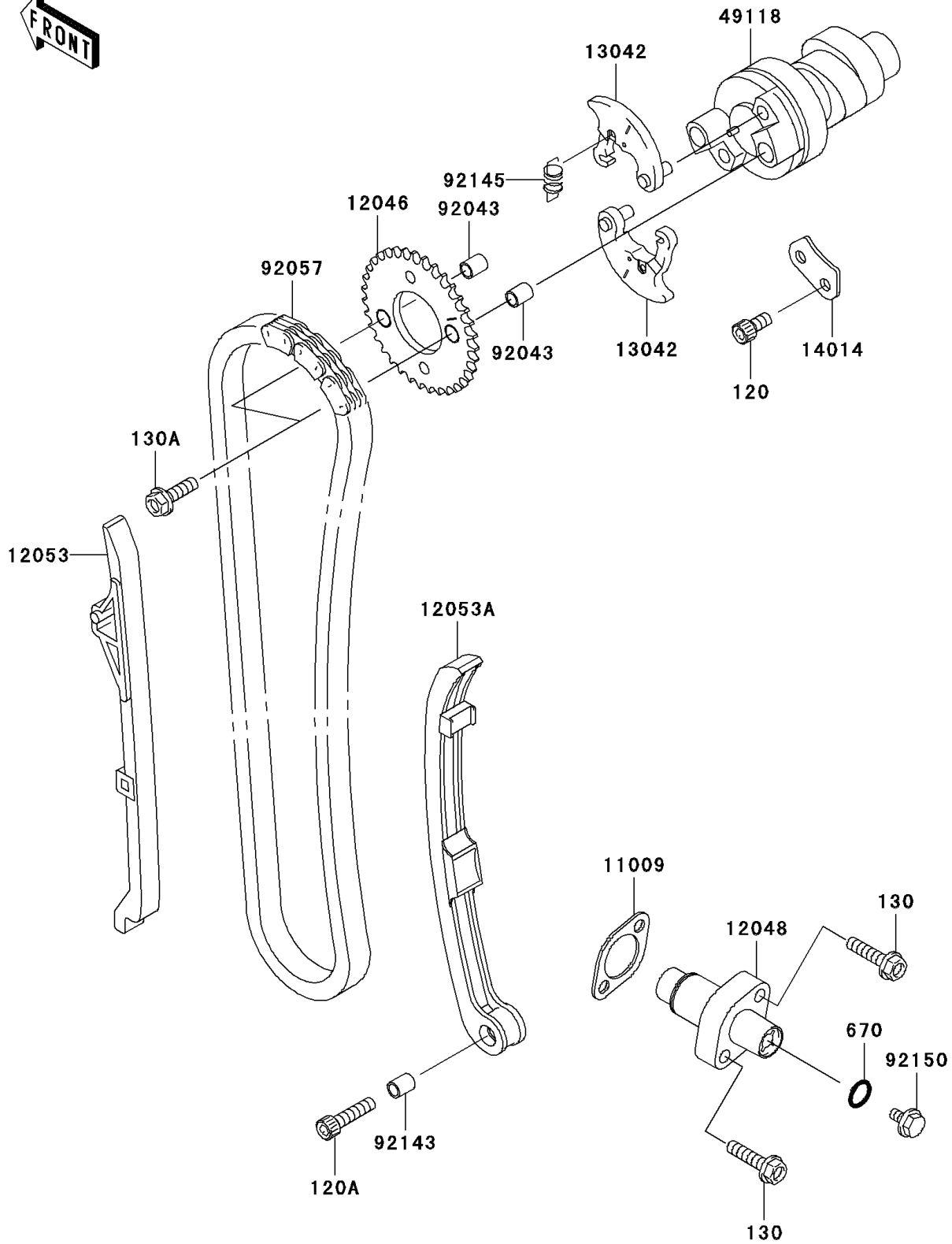


2005 Prairie 360 PARTS DIAGRAM

Camshaft(s)/Tensioner

E1230



2005 Prairie 360 PARTS LIST

Camshaft(s)/Tensioner

| ITEM NAME | PART NUMBER | QUANTITY |
|---------------------------------------|-------------|----------|
| BOLT-SOCKET,6X12 (Ref # 120) | 120P0612 | 2 |
| BOLT-SOCKET,6X25 (Ref # 120A) | 120P0625 | 1 |
| BOLT-FLANGED,6X25 (Ref # 130) | 130J0625 | 2 |
| BOLT-FLANGED,6X20 (Ref # 130A) | 130Z0620 | 2 |
| O RING (Ref # 670) | 670D2010 | 1 |
| GASKET,TENSIONER (Ref # 11009) | 11009-1858 | 1 |
| SPROCKET,38T (Ref # 12046) | 12046-1225 | 1 |
| TENSIONER-ASSY (Ref # 12048) | 12048-1193 | 1 |
| GUIDE-CHAIN,FR (Ref # 12053) | 12053-1423 | 1 |
| GUIDE-CHAIN,TENSIONER (Ref # 12053A) | 12053-1451 | 1 |
| WEIGHT,DECOMP (Ref # 13042) | 13042-1149 | 2 |
| PLATE-POSITION (Ref # 14014) | 14014-1095 | 1 |
| CAMSHAFT-COMP (Ref # 49118) | 49118-1217 | 1 |
| PIN,DOWEL,8X10 (Ref # 92043) | 92043-1302 | 2 |
| CHAIN,CAM,82RH2010-118L (Ref # 92057) | 92057-1256 | 1 |
| COLLAR,6X8X10.2 (Ref # 92143) | 92143-1253 | 1 |
| SPRING,DECOMP (Ref # 92145) | 92145-1495 | 1 |
| BOLT,TENSIONER (Ref # 92150) | 92150-1381 | 1 |