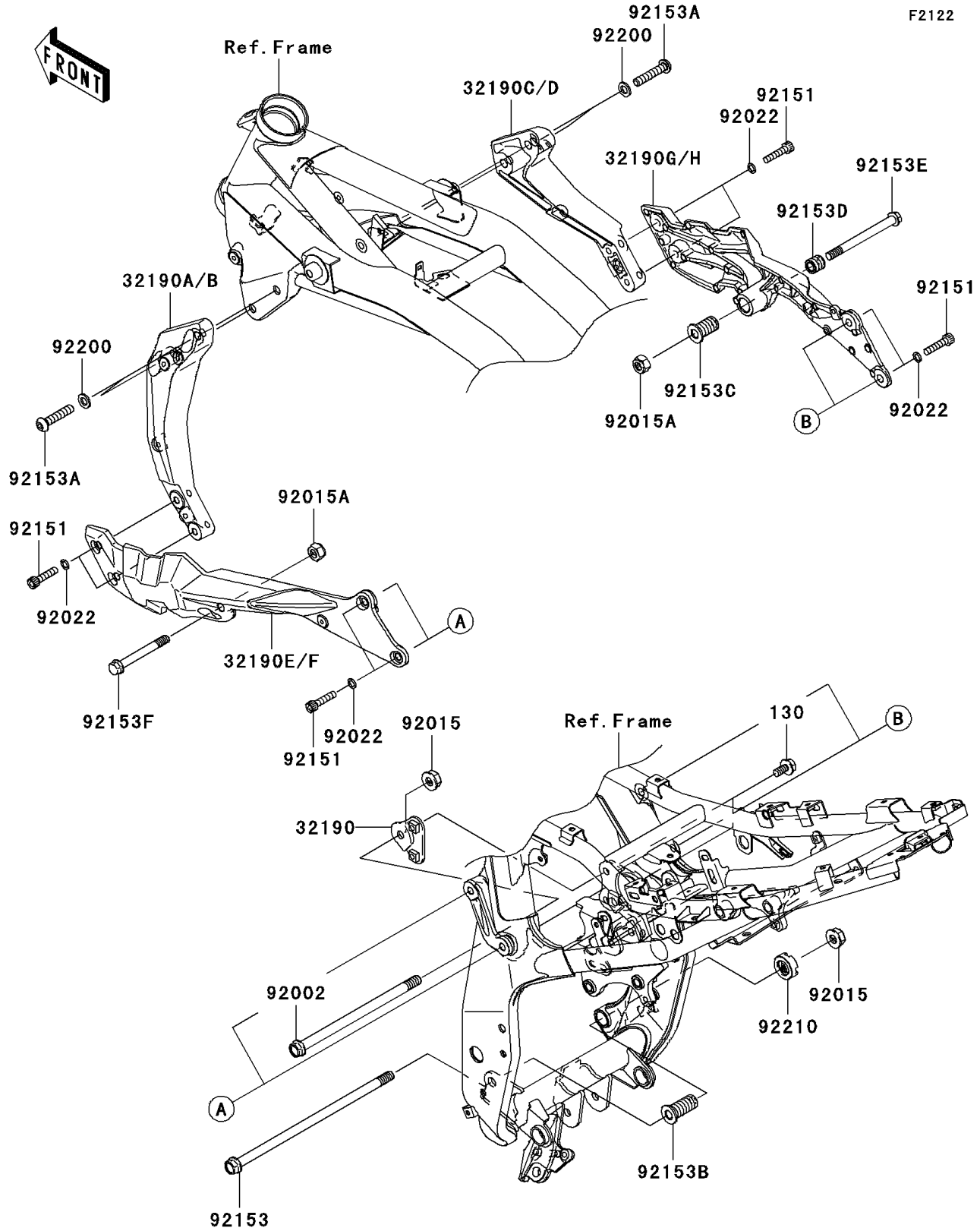


2008 Z1000 PARTS DIAGRAM

Engine Mount



2008 Z1000 PARTS LIST

Engine Mount

ITEM NAME	PART NUMBER	QUANTITY
BOLT-FLANGED,8X16 (Ref # 130)	130J0816	2
BRACKET-ENGINE,RR,RH,UPP (Ref # 32190)	32190-0009	1
BRACKET-ENGINE,FR,LH,BLACK (Ref # 32190B)	32190-0248-18R	1
BRACKET-ENGINE,FR,RH,BLACK (Ref # 32190D)	32190-0249-18R	1
BRACKET-ENGINE,RR,LH,BLACK (Ref # 32190F)	32190-0250-18R	1
BRACKET-ENGINE,RR,RH,BLACK (Ref # 32190H)	32190-0251-18R	1
BOLT,10X183 (Ref # 92002)	92002-1337	1
NUT,FLANGED,10MM (Ref # 92015)	92015-1180	2
NUT,LOCK,10MM,BLACK (Ref # 92015A)	92015-1189	2
WASHER,8.5X13X1 (Ref # 92022)	92022-1028	8
BOLT,SOCKET,8X35 (Ref # 92151)	92151-1535	8
BOLT,FLANGED,10X240 (Ref # 92153)	92153-0559	1
BOLT,SOCKET,10X50 (Ref # 92153A)	92153-0858	4
BOLT,ENGINE MOUNT,18MM (Ref # 92153B)	92153-1098	1
BOLT,ENGINE MOUNT,18MM (Ref # 92153C)	92153-1818	1
BOLT,ENGINE MOUNT,18MM (Ref # 92153D)	92153-1819	1
BOLT,FLANGED,10X113 (Ref # 92153E)	92153-1820	1
BOLT,FLANGED,10X85 (Ref # 92153F)	92153-1899	1
WASHER,10.5X19X2.3 (Ref # 92200)	92200-1042	4
NUT,18MM (Ref # 92210)	92210-1203	1