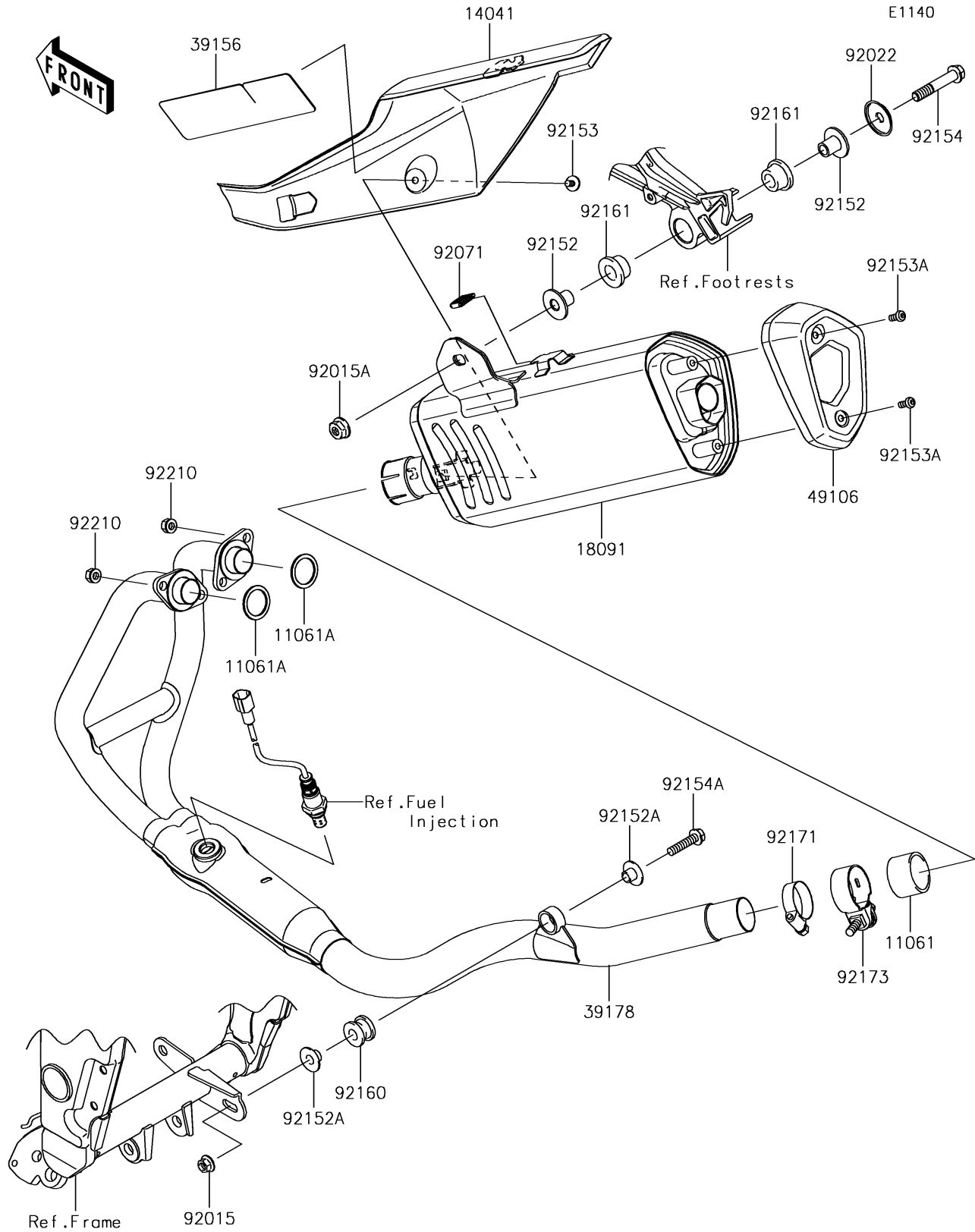


2017 Ninja 300 ABS KRT Edition PARTS DIAGRAM

Muffler(s)



2017 Ninja 300 ABS KRT Edition PARTS LIST

Muffler(s)

ITEM NAME	PART NUMBER	QUANTITY
GASKET,EXHAUST PIPE CONNECTING (Ref # 11061)	11061-0432	1
GASKET,EXHAUST PIPE (Ref # 11061A)	11061-0791	2
COVER-COMP,MUFFLER (Ref # 14041)	14041-0572	1
BODY-COMP-MUFFLER (Ref # 18091)	18091-0953	1
PAD (Ref # 39156)	39156-0928	1
MANIFOLD-COMP-EXHAUST (Ref # 39178)	39178-0228	1
COVER-MUFFLER,END (Ref # 49106)	49106-0747	1
NUT,FLANGED,8MM (Ref # 92015)	92015-1014	1
NUT,FLANGED,10MM (Ref # 92015A)	92015-1387	1
WASHER (Ref # 92022)	92022-289	1
GROMMET (Ref # 92071)	92071-0712	1
COLLAR (Ref # 92152)	92152-1682	2
COLLAR (Ref # 92152A)	92152-1692	2
BOLT,SOCKET,6X10 (Ref # 92153)	92153-1800	1
BOLT,SOCKET,6X14 (Ref # 92153A)	92153-1886	2
BOLT,FLANGED,10X55 (Ref # 92154)	92154-0070	1
BOLT,FLANGED,8X35 (Ref # 92154A)	92154-1061	1
DAMPER,MUFFLER MOUNT (Ref # 92160)	92160-1116	1
DAMPER (Ref # 92161)	92161-1497	2
CLAMP (Ref # 92171)	92171-0059	1
CLAMP,42MM (Ref # 92173)	92173-0942	1
NUT,8MM (Ref # 92210)	92210-1242	4