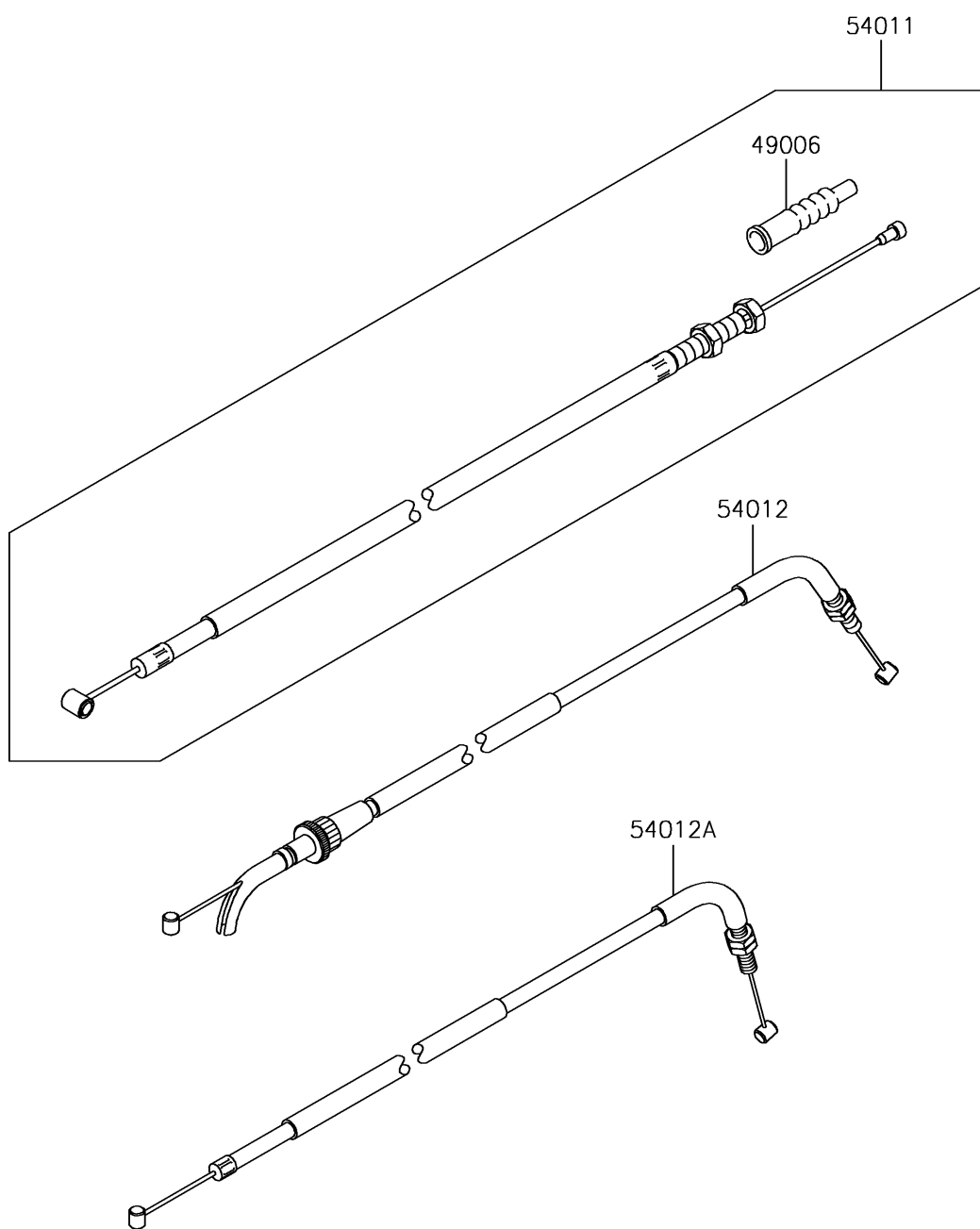


# 2016 Ninja<sup>®</sup> 300 SE

## PARTS DIAGRAM

### Cables

F2540



# 2016 Ninja<sup>®</sup> 300 SE

## PARTS LIST

### Cables

<b>ITEM NAME</b>	<b>PART NUMBER</b>	<b>QUANTITY</b>
BOOT,CLUTCH CABLE (Ref # 49006)	49006-0579	1
CABLE-CLUTCH (Ref # 54011)	54011-0565	1
CABLE-THROTTLE,PULL (Ref # 54012)	54012-0577	1
CABLE-THROTTLE,RETURN (Ref # 54012A)	54012-0578	1